

# パーツリスト PARTS LIST

(1/1)

MODEL: F-2

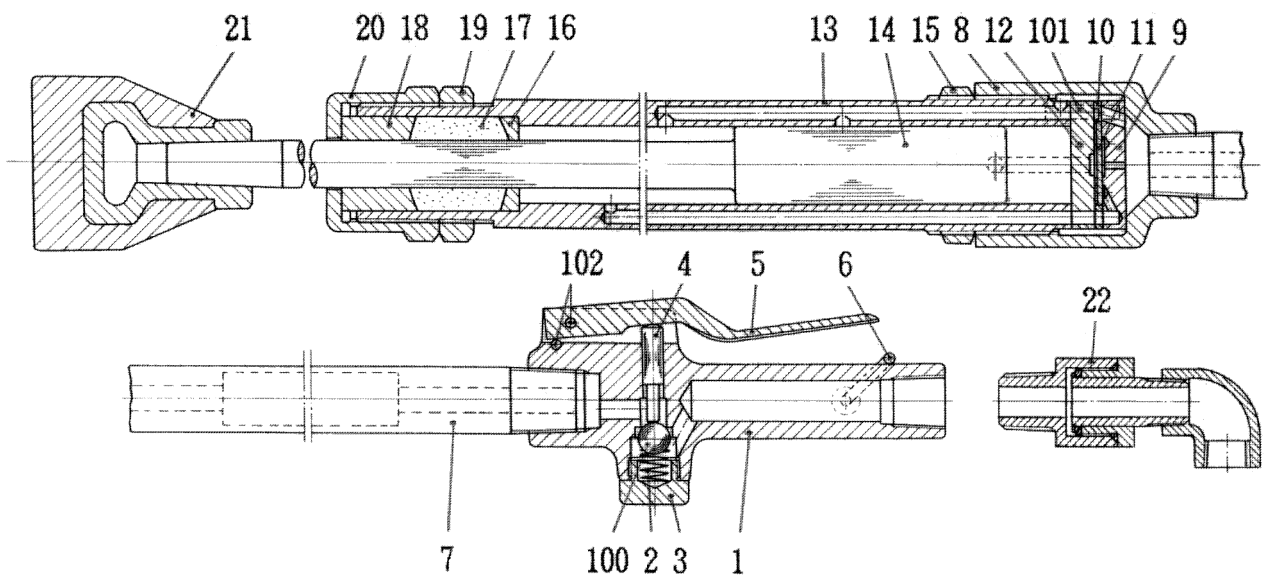
ITEM	PART NO.	PART NAME	Q'ty
1	17512111	HANDLE	1
2	17511980	SPRING	1
3	17512100	THROTTLE PLUG	1
4	17512090	THROTTLE PIN	1
5	17512141	LEVER	1
6	17512150	LEVER STOPPER	1
7	17512210	PIPE	1
8	17512120	HANDLE CAP	1
9	17512170	VALVE SHEET	1
10	17512190	VALVE WASHER	1
11	17512180	VALVE	1
12	17512200	VALVE SHEET	1
13	17512030	CYLINDER	1
14	17512040	PISTON	1
15	17512130	LOCK NUT	1
16	17512010	GLAND WASHER	1
17	17512160	GLAND PACKING	9
18	17512000	GLAND BUSH	1
19	17512020	GRAND NUT	1
20	17511990	GLAND CAP	1
21	17512050	RUBBER BUTT	1
22	17514502	SWIVEL JOINT CP	1
100	28205053	RUBBER BALL	1
101	28206091	PIN	2
102	28208106	SPRING PIN	2

# PARTS LIST

## F-2

604241 (F53001)

604251 (F53051) (NPT)



日本ニューマチック工業株式会社  
NIPPON PNEUMATIC MFG.CO.,LTD.