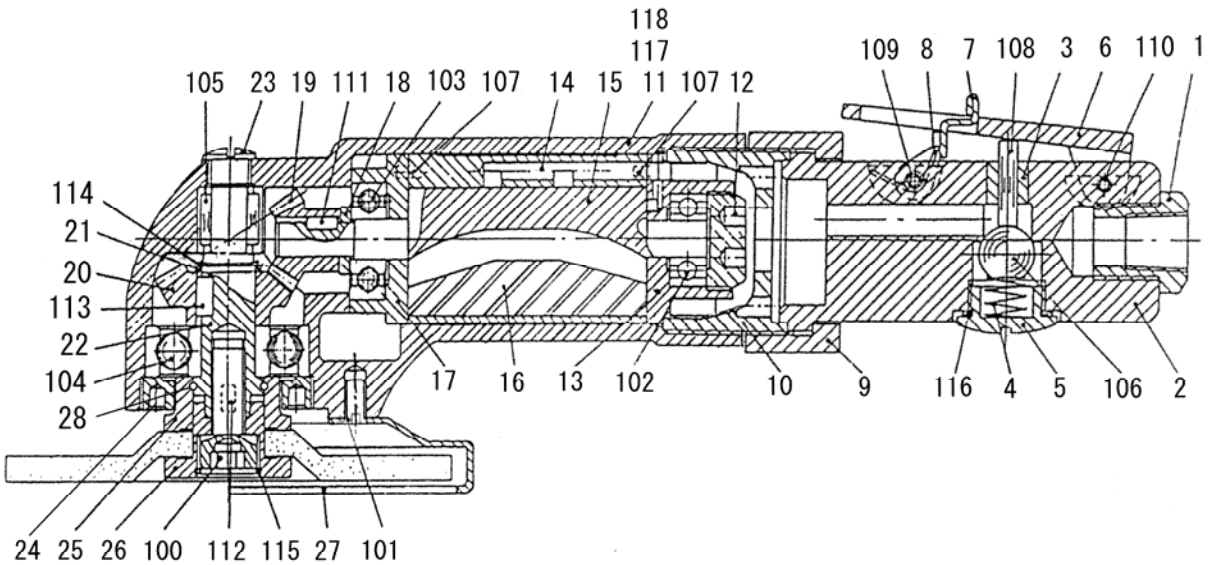


# PARTS LIST

## NAG-1ELW-05

501912 (G39V02)

501922 (G39V52) (NPT)



日本ニューマチック工業株式会社  
NIPPON PNEUMATIC MFG.CO.,LTD.

# 新旧対照リスト

(1/2)

## COMPARISON LIST

型式 MODEL: **NAG-1ELW-05**

現 CURRENT:G39V02

符号 ITEM	新品番 NEW PART NO.	現状品番 CURRENT PART NO.	品名 NEW PART NAME	CURRENT PART NAME	個数 Q'ty
1	15204080	I31000H020	INLET BUSHING	INLET BUSH	1
2	15005500	G40W00H550	HANDLE	HANDLE	1
3	15005480	G40W00H270	THROTTLE BUSH	THROTTLE BUSH	1
4	15102340	D32000B210	THROTTLE SPRING	THROTTLE SPRING	1
5	15005490	G40W00H360	THROTTLE PLUG	THROTTLE PLUG	1
6	15005510	G40W00H880	LEVER	LEVER	1
7	15005520	G40W00Z260	STOPPER	STOPPER	1
8	15008230	G53W10B250	STOPPER SPRING	STOPPER SPRING	1
9	15005530	G40W00Z900	LOCK NUT	LOCK NUT	1
10	15005010	G39W00H050	AIR CONNECTOR	AIR CONNECTOR	1
11	15005221	G40002R731	ROTOR CASE	ROTOR CASE	1
12	15004980	G39000R310	PLATE NUT	TOP PLATE NUT	1
13	15004970	G39000R300	TOP PLATE	TOP PLATE	1
14	15005170	G40000R200	CYLINDER	CYLINDER	1
15	15004990	G39000R720	ROTOR	ROTOR	1
16	15005190	G40000R500	VANE	VANE	4
17	15005200	G40000R510	BOTTOM PLATE	BOTTOM PLATE	1
18	15005250	G40000R800	ROTOR WASHER	ROTOR WASHER	1
19	15005240	G40000R770	ROTOR GEAR	ROTOR GEAR	1
20	15005270	G40000S300	SPINDLE GEAR	SPINDLE GEAR	1
21	15005260	G40000S280	SPINDLE WASHER	SPINDLE WASHER	1
22	15005281	G40001S321	STONE SPINDLE	STONE SPINDLE	1
23	15005050	G40000H080	OIL PLUG	OIL PLUG	1
24	15007100	G48000S310	SPINDLE NUT	SPINDLE CASE NUT	1
25	15005431	G40U01K311	STONE FLANGE	STONE FLANGE	1
26	15005450	G40U00K410	WHEEL NUT	DISC WHEEL NUT	1
27	15005440	G40U00K330	STONE COVER	STONE COVER	1
28	15007130	G48000Z340	STOPPER RING	STOPPER RING	1

日本ニューマチック工業株式会社

NIPPON PNEUMATIC MFG. CO., LTD. NAG-1ELW-05\_501912\_G39V02\_020403.xls

# 新旧対照リスト

(2/2)

## COMPARISON LIST

型式 MODEL: **NAG-1ELW-05**

現 CURRENT:G39V02

符号 ITEM	新品番 NEW PART NO.	現状品番 CURRENT PART NO.	品名 NEW PART NAME	CURRENT PART NAME	個数 Q'ty
100	74008020	1050108020	CAP SCREW	HEX. SOCKET CAP SCREW	1
101	28100045	1401010510	C-R. FLAT SCREW	C-R. FLAT SCREW	4
102	28201071	2012000628	BALL BEARING	BALL BEARING	1
103	28201072	2012000629	BALL BEARING	BALL BEARING	1
104	28201098	2012006301	BALL BEARING	BALL BEARING	1
105	28203073	2993040001	NEEDLE BEARING	NEEDLE BEARING	1
106	28205051	2800210350	RUBBER BALL	RUBBER BALL	1
107	28206036	3010030090	PIN	PARALLEL PIN	2
108	28207223	3022040190	ROLLER PIN	ROLLER PIN	1
109	28208061	3030030180	SPRING PIN	SPRING PIN	1
110	25305020	3030030250	SPRING PIN	SPRING PIN	1
111	28209010	3102030307	KEY	KEY	1
112	28209015	3102040406	KEY	KEY	1
113	28209016	3102040408	KEY	KEY	1
114	25307480	3200010110	RETAINING RING	RETAINING RING	1
115	25307600	3200020140	RETAINING RING	RETAINING RING	1
116	61200120	4150100120	O RING	O RING	1
117	18400494	0510000025	NAME PLATE	NAME PLATE	1
118	18400424	0500000436	NAME PLATE	NAME PLATE	1