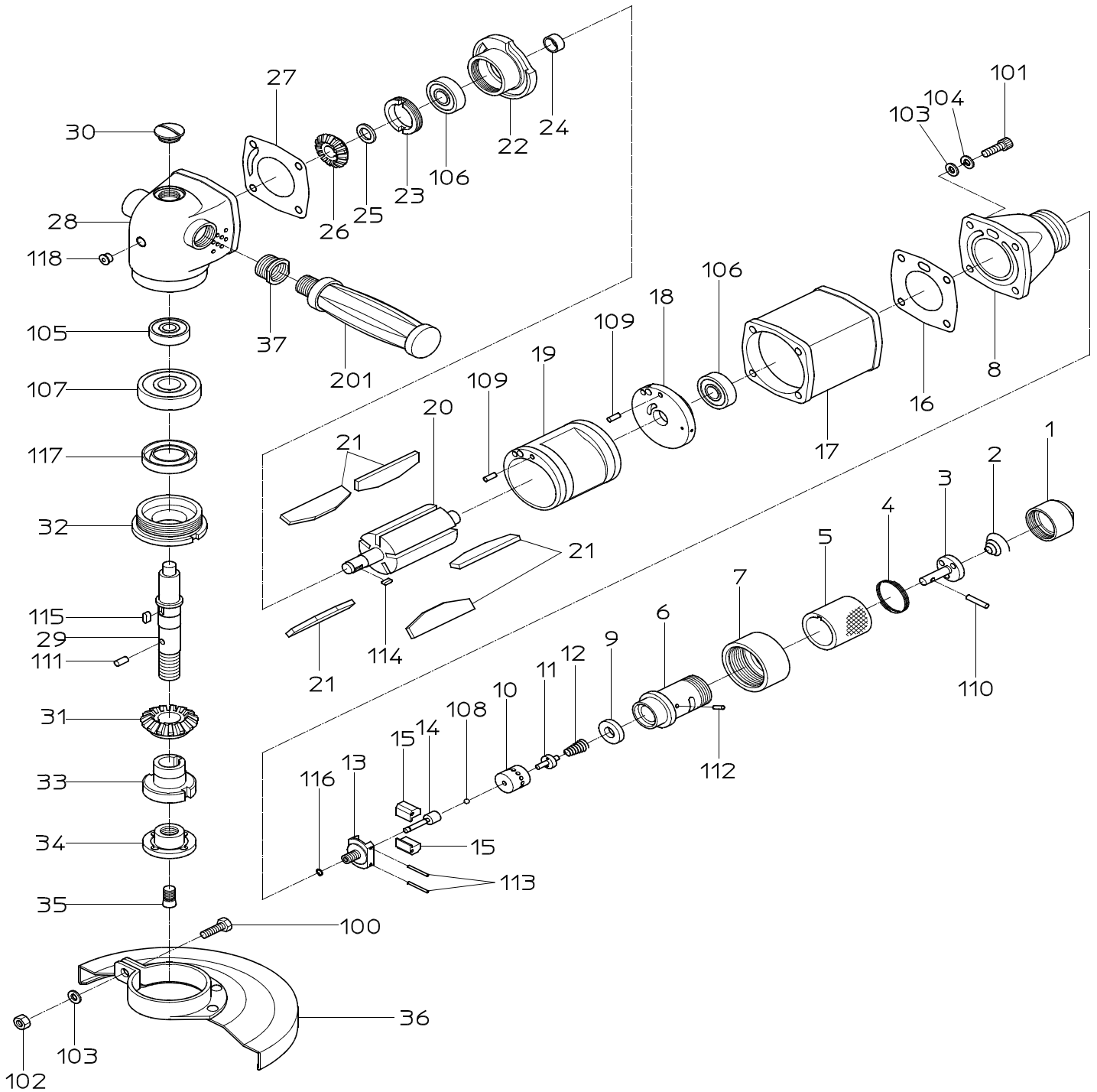


PARTS LIST

NAG-2

502220 (G44000)

502230 (G44050) (NPT)



日本ニューマチック工業株式会社
NIPPON PNEUMATIC MFG.CO.,LTD.

パーツリスト PARTS LIST

(1/2)

型式 MODEL: **NAG-2**

符号 ITEM	品番 PART NO.	PART NAME	個数 Q'ty
1	15007730	INLET BUSHING	1
2	15007640	THROTTLE SPRING	1
3	15007770	THROTTLE VALVE	1
4	15007660	PUSH SPRING	1
5	15005990	GRIPE	1
6	15006000	THROTTLE ARBOR	1
7	15006010	ARBOR NUT	1
8	15006020	HANDLE	1
9	15005970	GOVERNOR WASHER	1
10	15005950	GOVERNOR BUSH	1
11	15005920	GOVERNOR VALVE	1
12	15005900	GOVERNOR SPRING	1
13	15007700	GOVERNOR BODY	1
14	15005960	GOVERNOR SPINDLE	1
15	15007710	GOVERNOR WEIGHT	2
16	15006090	TOP SEAL	1
17	15006180	ROTOR CASE	1
18	15006120	TOP PLATE	1
19	15006110	CYLINDER	1
20	15006170	ROTOR	1
21	15006130	VANE	5
22	15006140	BOTTOM PLATE	1
23	15006150	PLATE NUT	1
24	15006200	ROTOR BUSH	1
25	15006220	ROTOR WASHER	1
26	15006210	ROTOR GEAR	1
27	15006100	BOTTOM SEAL	1
28	15006230	SPINDLE CASE	1
29	15006270	STONE SPINDLE	1
30	15005980	OIL PLUG	1
31	15006250	SPINDLE GEAR	1
32	15006260	SPINDLE NUT	1
33	15006050	STONE FLANGE	1
34	15006060	WHEEL NUT	1
35	15006300	LOCK SCREW	1
36	15007840	STONE COVER	1
37	15006290	SOCKET	2
38	18400511	NAME PLATE	1

パーツリスト PARTS LIST

(2/2)

型式 MODEL: **NAG-2**

符号 ITEM	品番 PART NO.	PART NAME	個数 Q' ty
100	72206020	HEX. BOLT	1
101	74006098	CAP SCREW	4
102	76111206	HEX. NUT	1
103	76310206	WASHER	6
104	76420106	SPRING WASHER	4
105	28201087	BALL BEARING	1
106	28201088	BALL BEARING	2
107	28201100	BALL BEARING	1
108	25502120	STEEL BALL	1
109	28206059	PIN	2
110	28206062	PIN	1
111	28206087	PIN	1
112	28207052	ROLLER PIN	1
113	28208030	SPRING PIN	2
114	28209011	KEY	1
115	28209017	KEY	1
116	25307780	RETAINING RING	1
117	28302073	OIL SEAL	1
118	28699003	GREASE CUP	1
201	15006040	HOLDER	1