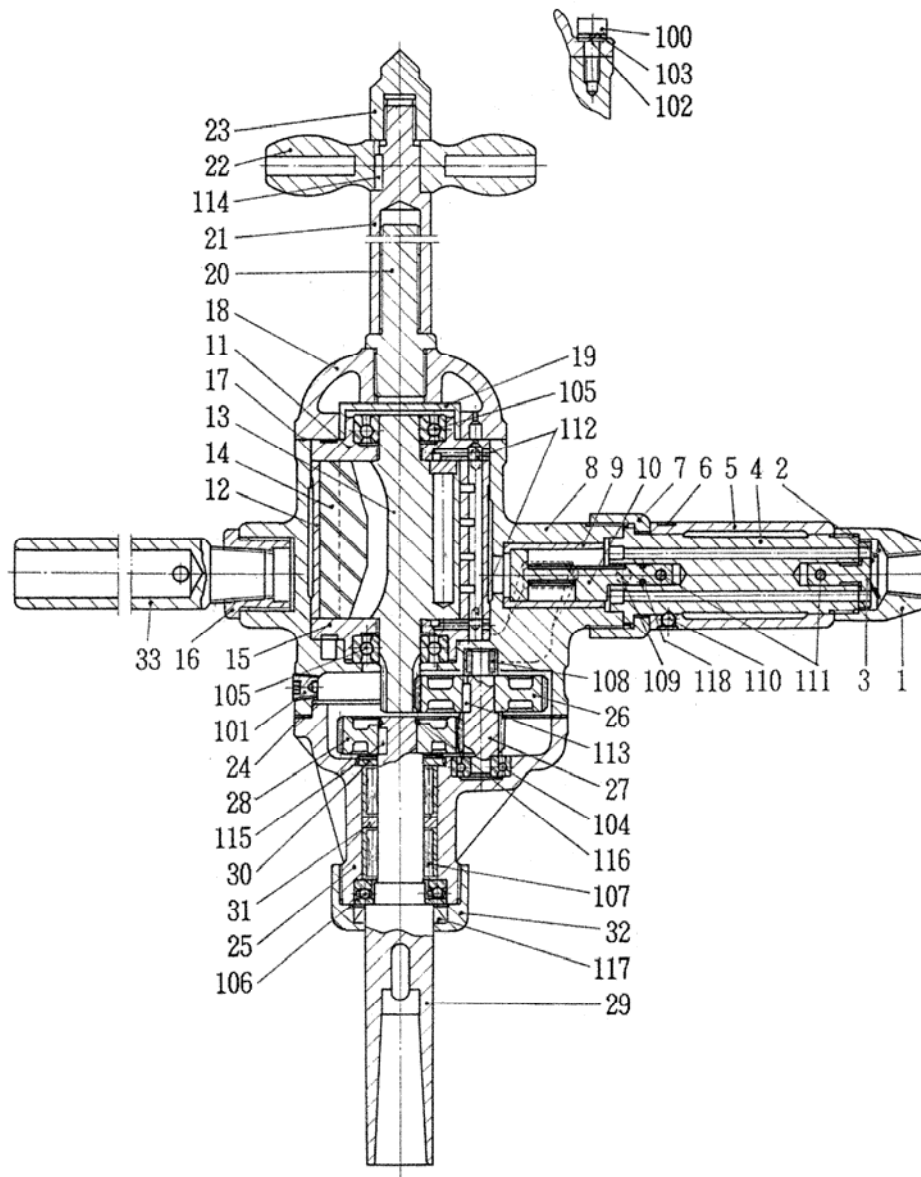


PARTS LIST

NRD-19R

510300 (D08000)

510310 (D08050) (NPT)



日本ニューマチック工業株式会社
NIPPON PNEUMATIC MFG.CO.,LTD.

新旧対照リスト

COMPARISON LIST

(1/2)

型式 MODEL: **NRD-19R**

符号 ITEM	新品番 NEW PART NO.	現状品番 CURRENT PART NO.	NEW PART NAME	CURRENT PART NAME	個数 Q'ty
1	15100940	D09000H020	INLET BUSHING	INLET BUSH	1
2	15100930	D09000B210	THROTTLE SPRING	THROTTLE SPRING	1
3	15101000	D09000H300	THROTTLE VALVE	THROTTLE VALVE	1
4	15100990	D09000H290	THROTTLE ARBOR	THROTTLE ARBOR	1
5	15100970	D09000H150	GRIPE	GRIP	1
6	15100980	D09000H160	GRIP RING	GRIP RING	1
7	15101010	D09000H390	ARBOR NUT	THROTTLE ARBOR NUT	1
8	15101190	D09000R730	ROTOR CASE	ROTOR CASE	1
9	15101080	D09000H810	REVERSE BUSH	REVERSE BUSH	1
10	15101070	D09000H800	REVERSE VALVE	REVERSE VALVE	1
11	15101150	D09000R300	TOP PLATE	TOP PLATE	1
12	15101140	D09000R200	CYLINDER	CYLINDER	1
13	15101180	D09000R720	ROTOR	ROTOR	1
14	15101160	D09000R500	VANE	VANE	5
15	15101170	D09000R510	BOTTOM PLATE	BOTTOM PLATE	1
16	15207510	I45000Z370	SOCKET	SOCKET	1
17	15101120	D09000P300	TOP SEAL	TOP SEAL	1
18	15100950	D09000H060	OIL CASE	OIL CASE	1
19	15100960	D09000H070	OIL BUSH	OIL CASE BUSH	1
20	15101050	D09000H610	FEED SCREW	FEED SCREW	1
21	15101060	D09000H620	FEED SLEEVE	FEED SLEEVE	1
22	15101040	D09000H600	FEED HANDLE	FEED HANDLE	1
23	15101020	D09000H400	CENTER	CENTER	1
24	15101130	D09000P500	BOTTOM SEAL	BOTTOM SEAL	1
25	15101220	D09000S110	GEAR CASE	GEAR CASE	1
26	15101200	D09000S040	REDUCTION GEAR	L REDUCTION GEAR	1
27	15100910	D08000S050	REDUCTION GEAR	S REDUCTION GEAR	1
28	15100920	D08000S330	SOCKET GEAR	SOCKET GEAR	1
29	15101260	D09000S480	DRILL SOCKET	DRILL SOCKET	1
30	15101100	D09000I210	THRUST WASHER	THRUST WASHER	1
31	15101300	D09000Z780	BEARING COLLAR	BEARING COLLAR	1
32	15101240	D09000S340	SOCKET NUT	SOCKET NUT	1
33	15101110	D09000I580	HOLDER	HOLDER	1
34	18400540	0510000141	NANE PLATE	NANE PLATE	1

新旧対照リスト

COMPARISON LIST

(2/2)

型式 MODEL: **NRD-19R**

符号 ITEM	新品番 NEW PART NO.	現状品番 CURRENT PART NO.	NEW PART NAME	CURRENT PART NAME	個数 Q'ty
100	74006020	1050106020	CAP SCREW	HEX. SOCKET CAP SCREW	8
101	28100501	1700111007	HEX. SOCKET PLUG	HEX. SOCKET PLUG	2
102	76310206	1951010060	WASHER	PLAIN WASHER	8
103	76420106	1954020060	SPRING WASHER	SPRING WASHER	8
104	28201067	2012000608	BALL BEARING	BALL BEARING	1
105	28201089	2012006202	BALL BEARING	BALL BEARING	2
106	28202017	2180051104	THRUST BEARING	THRUST BEARING	1
107	28203052	2400182620	NEEDLE BEARING	NEEDLE BEARING	2
108	28203063	2460071712	NEEDLE BEARING	NEEDLE BEARING	1
109	25502120	2800110125	STEEL BALL	STEEL BALL	2
110	25502010	2800110150	STEEL BALL	STEEL BALL	1
111	28206044	3010030335	PIN	PARALLEL PIN	2
112	25305050	3030040140	SPRING PIN	SPRING PIN	2
113	28209017	3102040410	KEY	KEY	1
114	28209020	3102040416	KEY	KEY	1
115	28209025	3102050510	KEY	KEY	1
116	25307280	3200010140	RETAINING RING	RETAINING RING	1
117	28302012	4011253805	OIL SEAL	OIL SEAL	1
118	61200060	4150100060	O RING	O RING	1
119	28210005	3352013032	DRIVE SCREW	DRIVE SCREW	4