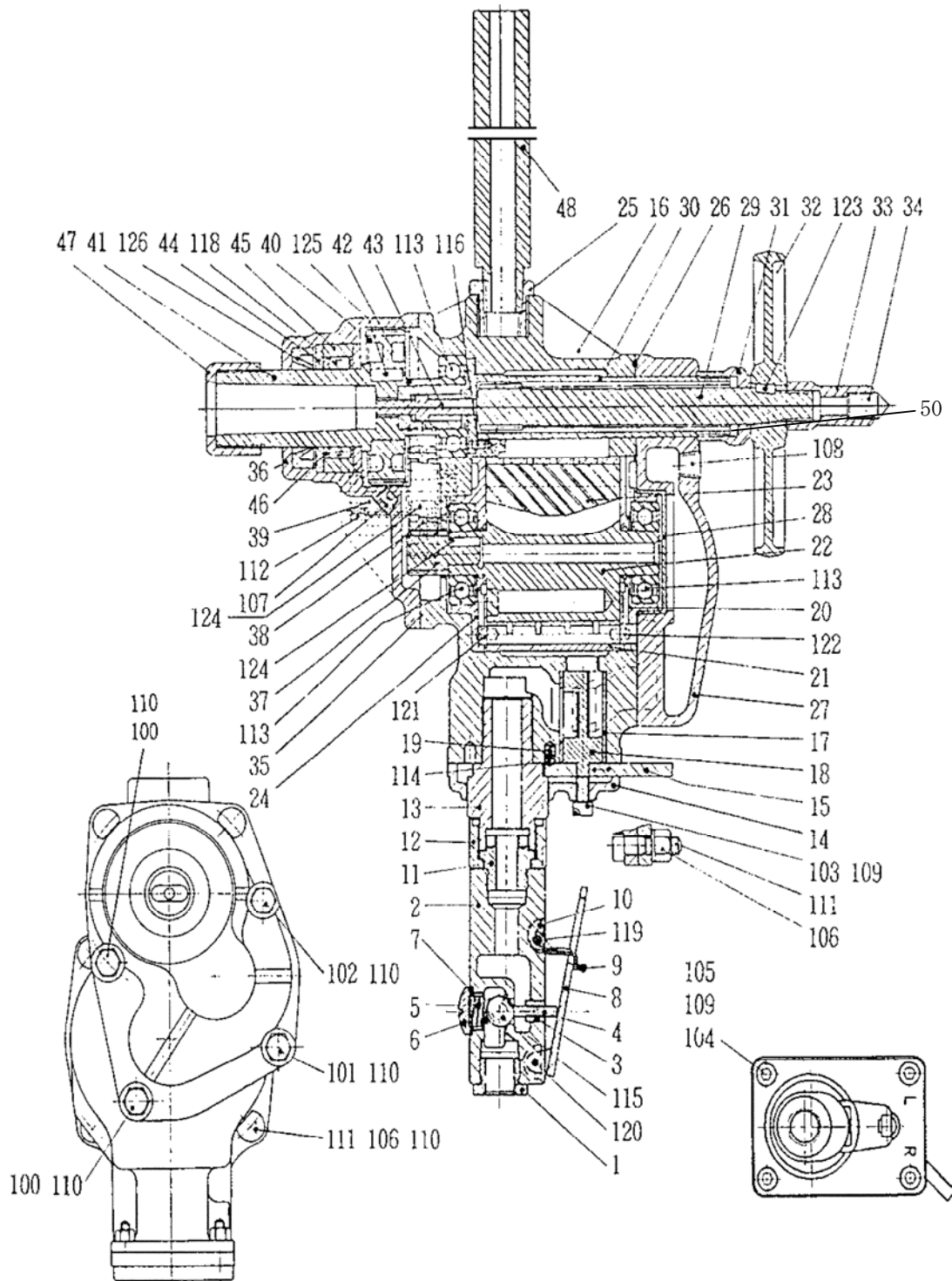


# PARTS LIST

## NRD-32LRLW

510520 (D13W00)

510530 (D13W50) (NPT)



日本ニューマチック工業株式会社  
NIPPON PNEUMATIC MFG.CO.,LTD.

# 新旧対照リスト

## COMPARISON LIST

(1/3)

型式 MODEL: **NRD-32LRLW**

符号 ITEM	新品番 NEW PART NO.	現状品番 CURRENT PART NO.	NEW PART NAME	CURRENT PART NAME	個数 Q'ty
1	15210840	I70010H020	INLET BUSHING	INLET BUSH	1
2	15008240	G53W10H290	THROTTLE ARBOR	THROTTLE ARBOR	1
3	15009270	G61000H270	THROTTLE BUSH	THROTTLE BUSH	1
4	15009280	G61000H310	THROTTLE PIN	THROTTLE PIN	1
5	15009260	G61000B210	THROTTLE SPRING	THROTTLE SPRING	1
6	15009290	G61000H360	THROTTLE PLUG	THROTTLE PLUG	1
7	15009340	G61000P800	RUBBER PACKING	RUBBER PACKING	1
8	15008260	G53W10H880	LEVER	LEVER	1
9	15008270	G53W10Z260	STOPPER	STOPPER	1
10	15008230	G53W10B250	STOPPER SPRING	STOPPER SPRING	1
11	15101330	D09W00H350	THROTTLE ADAPTOR	THROTTLE ADAPTOR	1
12	15101340	D09W00H390	ARBOR NUT	THROTTLE ARBOR NUT	1
13	15101880	D13W00H290	THROTTLE ARBOR	THROTTLE ARBOR	1
14	15401760	L302000180	REVERSE CAP	REVERSE CAP	1
15	15401750	L302000160	REVERSE LEVER	REVERSE LEVER	1
16	15101890	D13W00R730	ROTOR CASE	ROTOR CASE	1
17	15101590	D13000H810	REVERSE BUSH	REVERSE BUSH	1
18	15101580	D13000H800	REVERSE VALVE	REVERSE VALVE	1
19	15200940	I07000B800	SPRING	SPRING	1
20	15101690	D13000R300	TOP PLATE	TOP PLATE	1
21	15101680	D13000R200	CYLINDER	CYLINDER	1
22	15101720	D13000R720	ROTOR	ROTOR	1
23	15101700	D13000R500	VANE	VANE	6
24	15101710	D13000R510	BOTTOM PLATE	BOTTOM PLATE	1
25	15207510	I45000Z370	SOCKET	SOCKET	1
26	15101660	D13000P300	TOP SEAL	TOP SEAL	1
27	15101450	D13000H060	OIL CASE	OIL CASE	1
28	15101460	D13000H070	OIL BUSH	OIL CASE BUSH	1
29	15101540	D13000H610	FEED SCREW	FEED SCREW	1
30	15101550	D13000H620	FEED SLEEVE	FEED SLEEVE	1
31	15101570	D13000H640	FEED NUT	FEED SCREW NUT	1
32	15101530	D13000H600	FEED HANDLE	FEED HANDLE	1
33	15101560	D13000H630	HANDLE NUT	FEED HANDLE NUT	1
34	15101520	D13000H400	CENTER	CENTER	1
35	15101670	D13000P500	BOTTOM SEAL	BOTTOM SEAL	1
36	15101780	D13000S110	GEAR CASE	GEAR CASE	1
37	15101740	D13000R770	ROTOR GEAR	ROTOR GEAR	1

# 新旧対照リスト COMPARISON LIST

(2/3)

型式 MODEL: **NRD-32LRLW**

符号 ITEM	新品番 NEW PART NO.	現状品番 CURRENT PART NO.	NEW PART NAME	CURRENT PART NAME	個数 Q'ty
38	15101760	D13000S040	REDUCTION GEAR	L REDUCTION GEAR	1
39	15101770	D13000S050	REDUCTION GEAR	S REDUCTION GEAR	1
40	15101790	D13000S330	SOCKET GEAR	SOCKET GEAR	1
41	15101830	D13000S480	DRILL SOCKET	DRILL SOCKET	1
42	15101860	D13000Z660	BEARING BUSH	BEARING BUSH	1
43	15101820	D13000S470	DRILL KEY PIN	DRILL KEY PIN	1
44	15101810	D13000S360	SOCKET WASHER	SOCKET WASHER	2
45	15101840	D13000S490	ROLLER BUSH	TOP ROLLER BUSH	1
46	15101850	D13000S810	BUSH RING	ROTOR BUSH RING	2
47	15101800	D13000S340	SOCKET NUT	SOCKET NUT	1
48	15101630	D13000I580	HOLDER	HOLDER	1
49	18400541	0510000142	NANE PLATE	NANE PLATE	1
50	15106690		FELT	FELT	1

# 新旧対照リスト

## COMPARISON LIST

(3/3)

型式 MODEL: **NRD-32LRLW**

符号 ITEM	新品番 NEW PART NO.	現状品番 CURRENT PART NO.	NEW PART NAME	CURRENT PART NAME	個数 Q'ty
100	74008022	1050108022	CAP SCREW	HEX. SOCKET CAP SCREW	2
101	74008025	1050108025	CAP SCREW	HEX. SOCKET CAP SCREW	1
102	74008045	1050108045	CAP SCREW	HEX. SOCKET CAP SCREW	1
103	74006012	1050106012	CAP SCREW	HEX. SOCKET CAP SCREW	1
104	74006020	1050106020	CAP SCREW	HEX. SOCKET CAP SCREW	4
105	76111206	1204010106	HEX. NUT	HEX. NUT	2
106	76111208	1204010108	HEX. NUT	HEX. NUT	8
107	28100501	1700111007	HEX. SOCKET PLUG	HEX. SOCKET PLUG	1
108	28100502	1700112009	HEX. SOCKET PLUG	HEX. SOCKET PLUG	1
109	76420106	1954020060	SPRING WASHER	SPRING WASHER	3
110	76420108	1954020080	SPRING WASHER	SPRING WASHER	8
111	28100205	1991908006	SET BOLT	SET BOLT	6
112	28201072	2012000629	BALL BEARING	BALL BEARING	2
113	28201091	2012006204	BALL BEARING	BALL BEARING	3
114	28205026	2800110175	STEEL BALL	STEEL BALL	1
115	28205053	2800210450	RUBBER BALL	RUBBER BALL	1
116	28206058	3010040080	PIN	PARALLEL PIN	1
117	28207156	3020050340	ROLLER PIN	ROLLER PIN	1
118	35100612	3020060120	ROLLER PIN	ROLLER PIN	21
119	28208061	3030030180	SPRING PIN	SPRING PIN	1
120	25305020	3030030250	SPRING PIN	SPRING PIN	1
121	25305050	3030040140	SPRING PIN	SPRING PIN	1
122	28208103	3030040180	SPRING PIN	SPRING PIN	1
123	28209017	3102040410	KEY	KEY	1
124	28209020	3102040416	KEY	KEY	2
125	28209035	3102060616	KEY	KEY	1
126	28302030	4041355511	OIL SEAL	OIL SEAL	1
127	28210005	3352013032	DRIVE SCREW	DRIVE SCREW	4