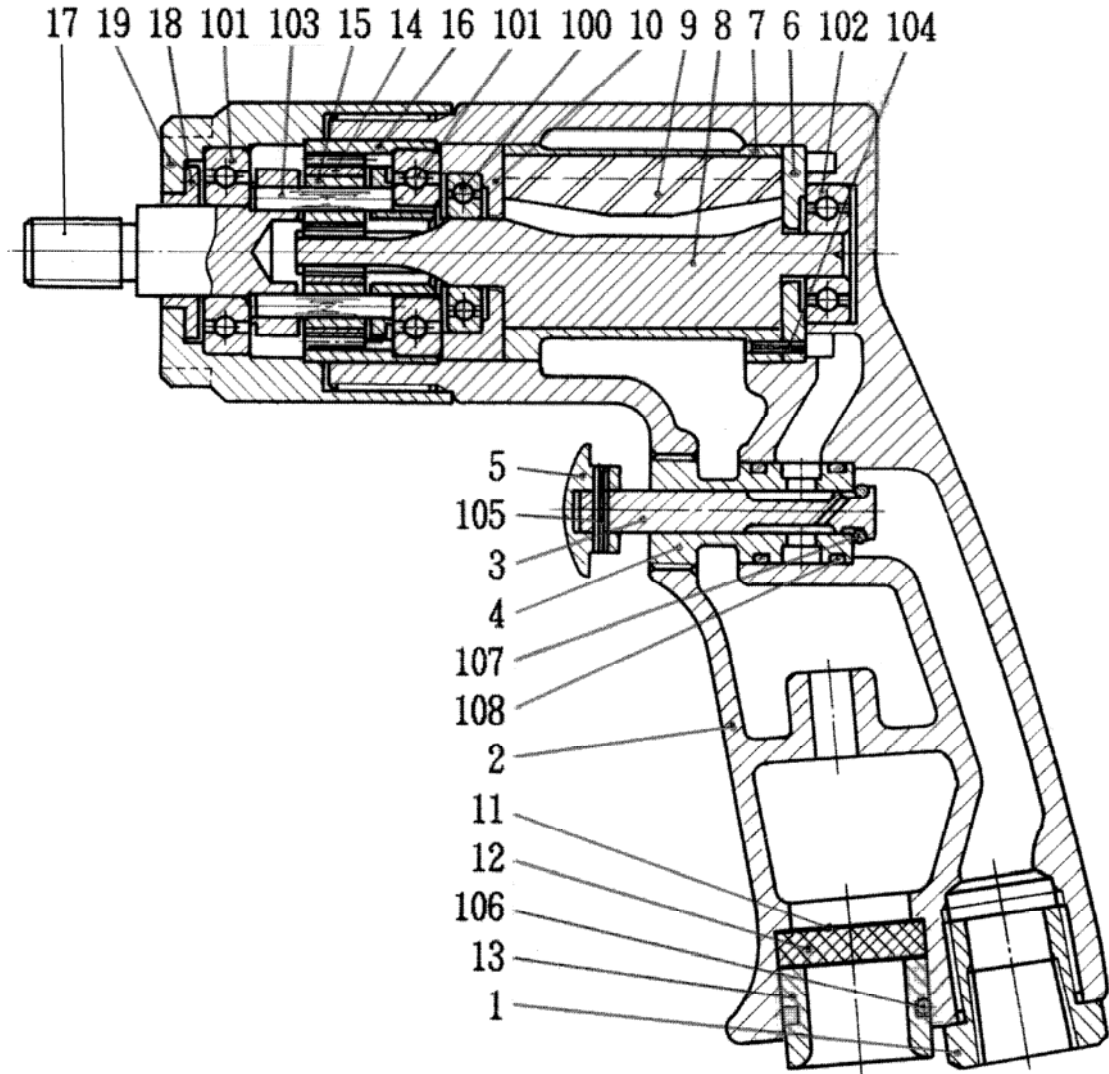


# PARTS LIST

## NRD-6PB(T)

510080 (D02A20)

510090 (D02A70) (NPT)



日本ニューマチック工業株式会社  
NIPPON PNEUMATIC MFG.CO.,LTD.

# 新旧対照リスト COMPARISON LIST

(1/1)

型式 MODEL: **NRD-6PB(T)**

符号 ITEM	新品番 NEW PART NO.	現状品番 CURRENT PART NO.	NEW PART NAME	CURRENT PART NAME	個数 Q'ty
1	15204080	I31000H020	INLET BUSHING	INLET BUSH	1
2	15100190	D02020H550	HANDLE	HANDLE	1
3	15100180	D02020H300	THROTTLE VALVE	THROTTLE VALVE	1
4	15100170	D02020H270	THROTTLE BUSH	THROTTLE BUSH	1
5	15100200	D02020H880	LEVER	LEVER	1
6	15100230	D02020R300	TOP PLATE	TOP PLATE	1
7	15100220	D02020R200	CYLINDER	CYLINDER	1
8	15100260	D02020R720	ROTOR	ROTOR	1
9	15100240	D02020R500	VANE	VANE	5
10	15100250	D02020R510	BOTTOM PLATE	BOTTOM PLATE	1
11	15100150	D02020E450	EXHAUST SCREEN	TOP EXHAUST SCREEN	2
12	15100160	D02020E700	MUFFLER	MUFFLER	1
13	15100140	D02020E030	EXHAUST COVER	EXHAUST COVER	1
14	15100310	D02020S600	PLANET GEAR	PLANET GEAR	2
15	15100320	D02020S610	GEAR BUSH	PLANET GEAR BUSH	2
16	15100270	D02020S030	INTERNAL GEAR	INTERNAL GEAR	1
17	15100330	D02A20S450	CHUCK SPINDLE	CHUCK SPINDLE	1
18	15100280	D02020S260	SEAL RING	SEAL RING	1
19	15100290	D02020S270	SPINDLE CASE	SPINDLE CASE	1
100	28201023	2010000003	BALL BEARING	BALL BEARING	1
101	28201024	2010000004	BALL BEARING	BALL BEARING	2
102	28201032	2010000626	BALL BEARING	BALL BEARING	1
103	28207080	3020032190	ROLLER PIN	ROLLER PIN	2
104	28208013	3030016080	SPRING PIN	SPRING PIN	1
105	28208014	3030016120	SPRING PIN	SPRING PIN	1
106	28208030	3030020200	SPRING PIN	SPRING PIN	1
107	61200040	4150100040	O RING	O RING	1
108	25401430	4154100100	O RING	O RING	2