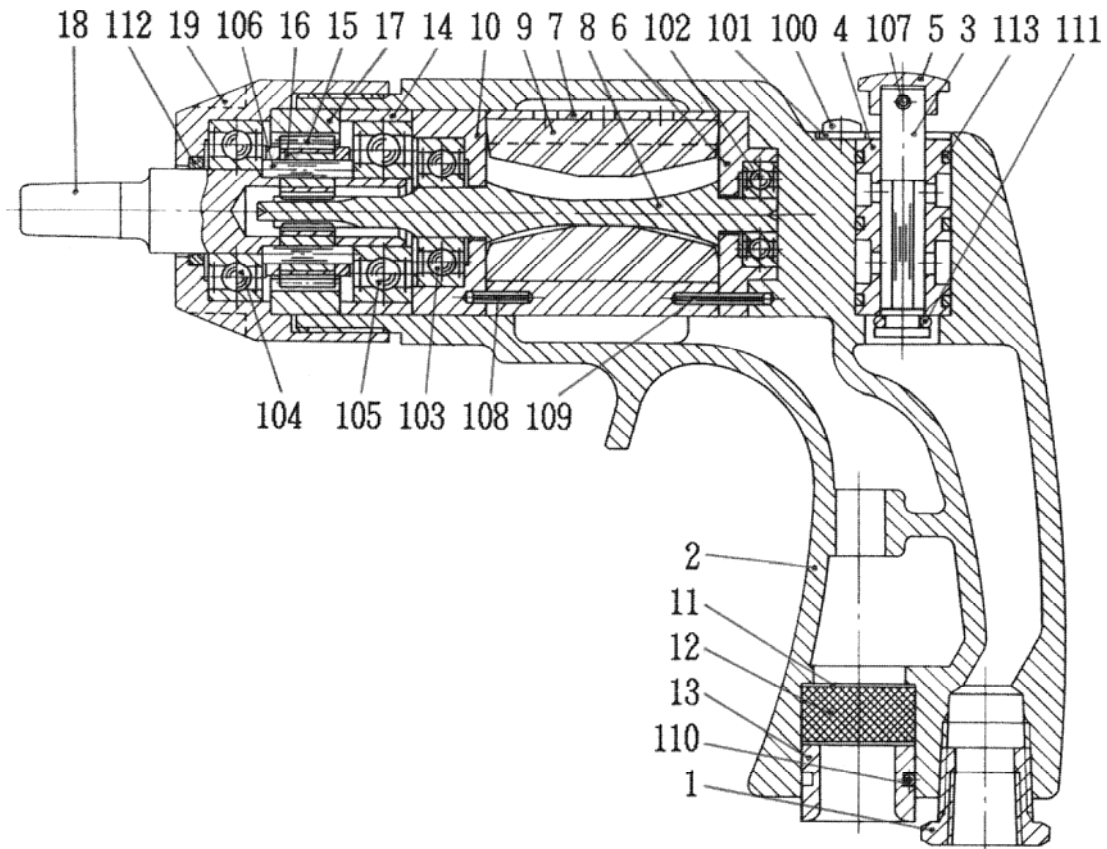


# PARTS LIST

## NRT-8P

510560 (D20000)

501570 (D20050) (NPT)



日本ニューマチック工業株式会社  
NIPPON PNEUMATIC MFG.CO.,LTD.

# 新旧対照リスト

(1/1)

## COMPARISON LIST

型式 MODEL: **NRT-8P**

符号 ITEM	新品番 NEW PART NO.	現状品番 CURRENT PART NO.	NEW PART NAME	CURRENT PART NAME	個数 Q'ty
1	15100400	D04000H020	INLET BUSHING	INLET BUSH	1
2	15101950	D20000H550	HANDLE	HANDLE	1
3	15101940	D20000H300	THROTTLE VALVE	THROTTLE VALVE	2
4	15101930	D20000H270	THROTTLE BUSH	THROTTLE BUSH	2
5	15101960	D20000H880	LEVER	LEVER	2
6	15101980	D20000R300	TOP PLATE	TOP PLATE	1
7	15101970	D20000R200	CYLINDER	CYLINDER	1
8	15100480	D04000R720	ROTOR	ROTOR	1
9	15200280	I02030R500	VANE	VANE	4
10	15101990	D20000R510	BOTTOM PLATE	BOTTOM PLATE	1
11	15100150	D02020E450	EXHAUST SCREEN	TOP EXHAUST SCREEN	2
12	15100160	D02020E700	MUFFLER	MUFFLER	1
13	15100140	D02020E030	EXHAUST COVER	EXHAUST COVER	1
14	15100540	D04000Z660	BEARING BUSH	BEARING BUSH	1
15	15100310	D02020S600	PLANET GEAR	PLANET GEAR	2
16	15100320	D02020S610	GEAR BUSH	PLANET GEAR BUSH	2
17	15100490	D04000S030	INTERNAL GEAR	INTERNAL GEAR	1
18	15102000	D20000S450	CHUCK SPINDLE	CHUCK SPINDLE	1
19	15100500	D04000S270	SPINDLE CASE	SPINDLE CASE	1
100	25113020	1400010408	SCREW	C-R. PAN HEAD SCREW	2
101	76323204	1951020040	WASHER	PLAIN WASHER	4
102	28201069	2012000626	BALL BEARING	BALL BEARING	1
103	28201072	2012000629	BALL BEARING	BALL BEARING	1
104	28201081	2012006002	BALL BEARING	BALL BEARING	1
105	28201088	2012006201	BALL BEARING	BALL BEARING	1
106	28207079	3020032155	ROLLER PIN	ROLLER PIN	2
107	28208014	3030016120	SPRING PIN	SPRING PIN	2
108	28208024	3030020100	SPRING PIN	SPRING PIN	1
109	28208026	3030020140	SPRING PIN	SPRING PIN	1
110	28208030	3030020200	SPRING PIN	SPRING PIN	1
111	61200040	4150100040	O RING	O RING	2
112	61200150	4150100150	O RING	O RING	1
113	63200140	4154100140	O RING	O RING	6