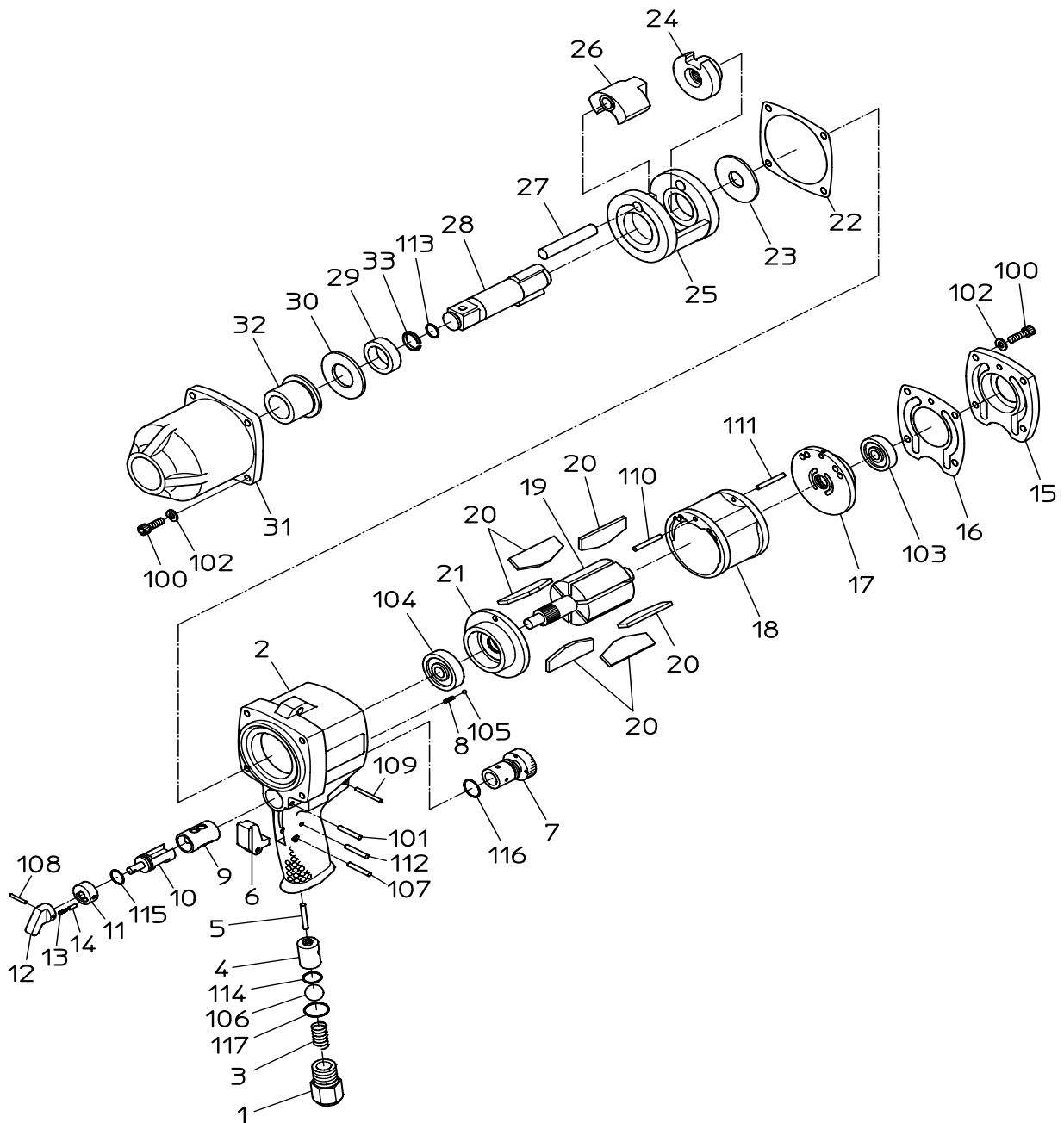


PARTS LIST

NW-2800P

522791 (I63001)

522810 (I63051) (NPT)



日本ニューマチック工業株式会社
NIPPON PNEUMATIC MFG.CO.,LTD.

新旧対照リスト

COMPARISON LIST

(1/2)

型式 MODEL: NW-2800P

符号 ITEM	新品番 NEW PART NO.	現状品番 CURRENT PART NO.	NEW PART NAME	CURRENT PART NAME	個数 Q'ty
1	15206760	I43000H020	INLET BUSHING	INLET BUSH	1
2	15209720	I63000H550	HANDLE	HANDLE	1
3	15202720	I14010B210	THROTTLE SPRING	THROTTLE SPRING	1
4	15206770	I43000H270	THROTTLE BUSH	THROTTLE BUSH	1
5	15206780	I43000H310	THROTTLE PIN	THROTTLE PIN	1
6	15206820	I43000H880	LEVER	LEVER	1
7	15209710	I63000G010	ADJUSTER VALVE	ADJUST VALVE	1
8	15200930	I07000B010	SPRING	SPRING	1
9	15310830	T90000H810	REVERSE BUSH	REVERSE BUSH	1
10	15310820	T90000H800	REVERSE VALVE	REVERSE VALVE	1
11	15209740	I63000H860	REVERSE WASHER	REVERSE WASHER	1
12	15303540	T51010H820	REVERSE LEVER	REVERSE LEVER	1
13	15303430	T51010B800	SPRING	SPRING	1
14	15303550	T51010H830	REVERSE PIN	REVERSE PIN	1
15	15209730	I63000H560	HANDLE CAP	HANDLE CAP	1
16	15209810	I63000P300	TOP SEAL	TOP SEAL	1
17	15202000	I10000R300	TOP PLATE	TOP PLATE	1
18	15201990	I10000R200	CYLINDER	CYLINDER	1
19	15202031	I10001R721	ROTOR	ROTOR	1
20	15202010	I10000R500	VANE	VANE	6
21	15202020	I10000R510	BOTTOM PLATE	BOTTOM PLATE	1
22	15201980	I10000P500	BOTTOM SEAL	BOTTOM SEAL	1
23	15201870	I10000I200	SPACER	SPACER	1
24	15209760	I63000I300	SCREW DRIVER	DRIVER	1
25	15209800	I63000I490	HAMMER FRAME	HAMMER FRAME	1
26	15209780	I63000I470	HAMMER	HAMMER	1
27	15209790	I63000I480	HAMMER PIN	HAMMER PIN	1
28	15209750	I63000I050	ANVIL	ANVIL	1
29	15201850	I10000I010	ANVIL BUSH	ANVIL BUSH	1
30	15201880	I10000I210	THRUST WASHER	THRUST WASHER	1
31	15209770	I63000I450	HAMMER CASE	HAMMER CASE	1
32	15201910	I10000I460	CASE BUSH	CASE BUSH	1
33	15208970	I58000Z340	STOPPER RING	STOPPER RING	1
34	18400547	0510000216	NAME PLATE	NAME PLATE	1
100	74006025	1050106025	CAP SCREW	HEX. SOCKET CAP SCREW	8
101	28100457	1602010408	SET SCREW	HEX. SOCKET SET SCREW	1
102	28100525	1954040020	SPRING WASHER	SPRING WASHER	8

新旧対照リスト COMPARISON LIST

(2/2)

型式 MODEL: **NW-2800P**

符号 ITEM	新品番 NEW PART NO.	現状品番 CURRENT PART NO.	NEW PART NAME	CURRENT PART NAME	個数 Q'ty
103	28201089	2012006202	BALL BEARING	BALL BEARING	1
104	28201090	2012006203	BALL BEARING	BALL BEARING	1
105	28205023	2800110100	STEEL BALL	STEEL BALL	1
106	28205061	2800410500	STAINLESS BALL	STAINLESS BALL	1
107	28207110	3020040180	ROLLER PIN	ROLLER PIN	1
108	28208048	3030025160	SPRING PIN	SPRING PIN	1
109	28208060	3030030160	SPRING PIN	SPRING PIN	1
110	25305040	3030040120	SPRING PIN	SPRING PIN	1
111	28208103	3030040180	SPRING PIN	SPRING PIN	1
112	28208105	3030040220	SPRING PIN	SPRING PIN	1
113	63910090	4152100090	O RING	O RING	1
114	61200120	4150100120	O RING	O RING	1
115	61200125	4150100125	O RING	O RING	1
116	61200160	4150100160	O RING	O RING	1
117	61200180	4150100180	O RING	O RING	1