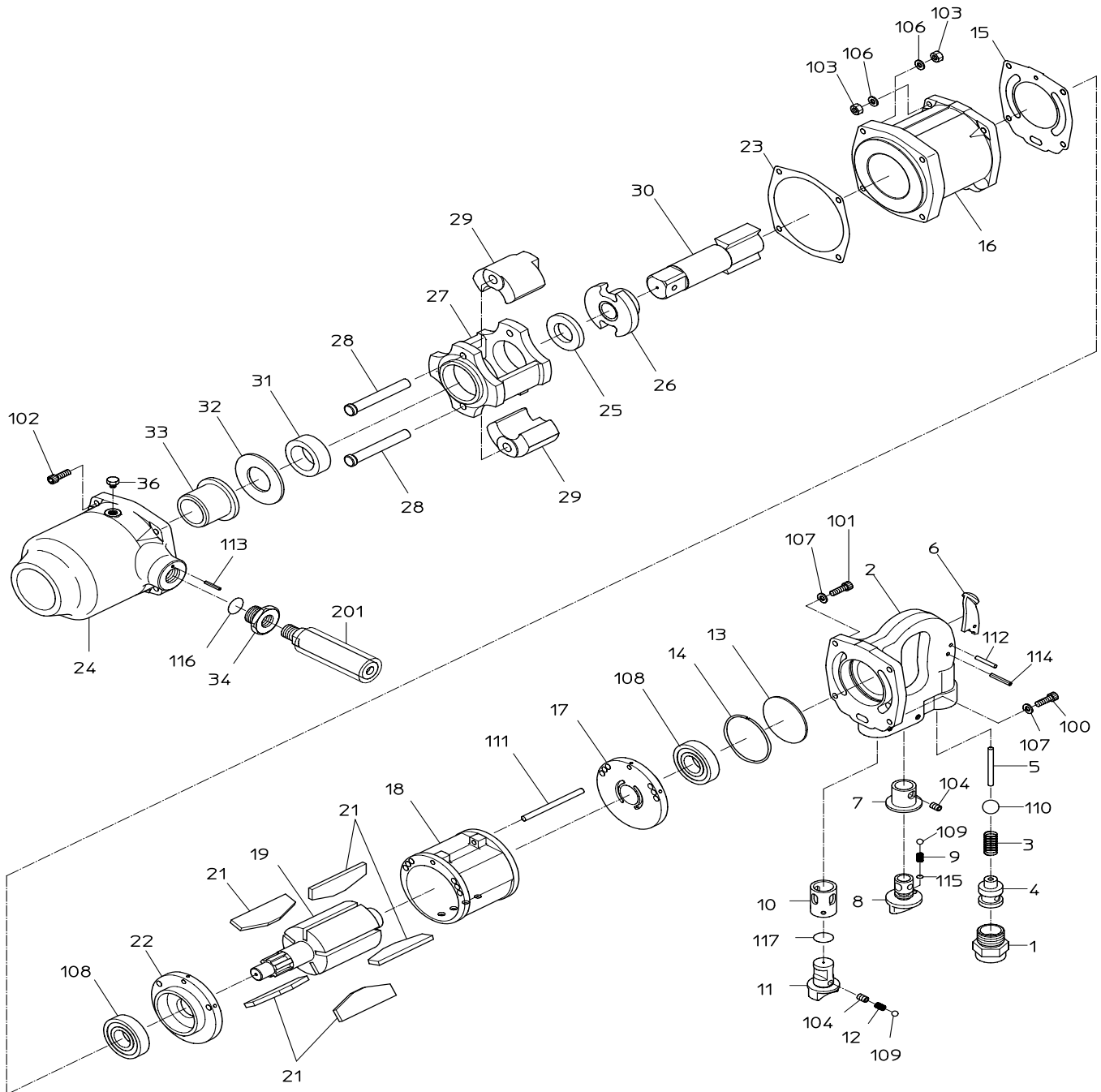


PARTS LIST

NW-32LA

520420 (I14010)

520430 (I14060) (NPT)



日本ニューマチック工業株式会社
NIPPON PNEUMATIC MFG.CO.,LTD.

新旧対照リスト

(1/2)

COMPARISON LIST

型式 MODEL: **NW-32LA**

現 CURRENT: I14010

符号 ITEM	新品番 NEW PART NO.	現状品番 CURRENT PART NO.	品名 NEW PART NAME	CURRENT PART NAME	個数 Q'ty
1	15202750	I14010H020	INLET BUSHING	INLET BUSH	1
2	15202780	I14010H550	HANDLE	HANDLE	1
3	15202720	I14010B210	THROTTLE SPRING	THROTTLE SPRING	1
4	15202760	I14010H270	THROTTLE BUSH	THROTTLE BUSH	1
5	15202770	I14010H310	THROTTLE PIN	THROTTLE PIN	1
6	15210920	I70010H880	LEVER	LEVER	1
7	15202740	I14010G020	ADJUSTER BUSHING	ADJUST BUSH	1
8	15202730	I14010G010	ADJUSTER VALVE	ADJUST VALVE	1
9	15202120	I12010B010	SPRING	SPRING	1
10	15202810	I14010H810	REVERSE BUSH	REVERSE BUSH	1
11	15202800	I14010H800	REVERSE VALVE	REVERSE VALVE	1
12	15202120	I12010B010	SPRING	SPRING	1
13	15202790	I14010H570	HANDLE PLATE	HANDLE PLATE	1
14	15202990	I14010Z340	STOPPER RING	STOPPER RING	1
15	15202920	I14010P300	TOP SEAL	TOP SEAL	1
16	15202980	I14010R730	ROTOR CASE	ROTOR CASE	1
17	15202940	I14010R300	TOP PLATE	TOP PLATE	1
18	15207420	I45000R200	CYLINDER	CYLINDER	1
19	15202970	I14010R720	ROTOR	ROTOR	1
21	15202950	I14010R500	VANE	VANE	5
22	15202960	I14010R510	BOTTOM PLATE	BOTTOM PLATE	1
23	15202930	I14010P500	BOTTOM SEAL	BOTTOM SEAL	1
24	15202870	I14010I450	HAMMER CASE	HAMMER CASE	1
25	15202840	I14010I200	SPACER	SPACER	1
26	15202860	I14010I300	SCREW DRIVER	DRIVER	1
27	15202910	I14010I490	HAMMER FRAME	HAMMER FRAME	1
28	15202900	I14010I480	HAMMER PIN	HAMMER PIN	2
29	15202890	I14010I470	HAMMER	HAMMER	2
30	15202830	I14010I050	ANVIL	ANVIL	1
31	15202820	I14010I010	ANVIL BUSH	ANVIL BUSH	1
32	15202850	I14010I210	THRUST WASHER	THRUST WASHER	1
33	15202880	I14010I460	CASE BUSH	CASE BUSH	1
34	15202380	I12010I610	HOLDER SOCKET	HOLDER SOCKET	1
36	15200980	I07000H080	OIL PLUG	OIL PLUG	1

新旧対照リスト

(2/2)

COMPARISON LIST

型式 MODEL: **NW-32LA**

現 CURRENT: I14010

符号 ITEM	新品番 NEW PART NO.	現状品番 CURRENT PART NO.	品名 NEW PART NAME	CURRENT PART NAME	個数 Q' ty
100	74006022	1050106022	CAP SCREW	HEX. SOCKET CAP SCREW	2
101	74006035	1050106035	CAP SCREW	HEX. SOCKET CAP SCREW	2
102	28100203	1991906005	SET BOLT	SET BOLT	4
103	25122010	1350050106	NYLON-HEX. NUT	NYLON-HEX. NUT	6
104	25105020	1602010610	SET SCREW	HEX. SOCKET SET SCREW	2
106	76310206	1951010060	WASHER	PLAIN WASHER	10
107	76420106	1954020060	SPRING WASHER	SPRING WASHER	10
108	28201092	2012006205	BALL BEARING	BALL BEARING	2
109	28205026	2800110175	STEEL BALL	STEEL BALL	2
110	28205054	2800210500	RUBBER BALL	RUBBER BALL	1
111	28206114	3013050000	PIN	PARALLEL PIN	1
112	28207110	3020040180	ROLLER PIN	ROLLER PIN	1
113	25305560	3030030140	SPRING PIN	SPRING PIN	1
114	25305060	3030040200	SPRING PIN	SPRING PIN	1
115	61200140	4150100140	O RING	O RING	1
116	63200050	4154100050	O RING	O RING	1
117	63200180	4154100180	O RING	O RING	1
201	15202360	I12010I580	HOLDER	HOLDER	1