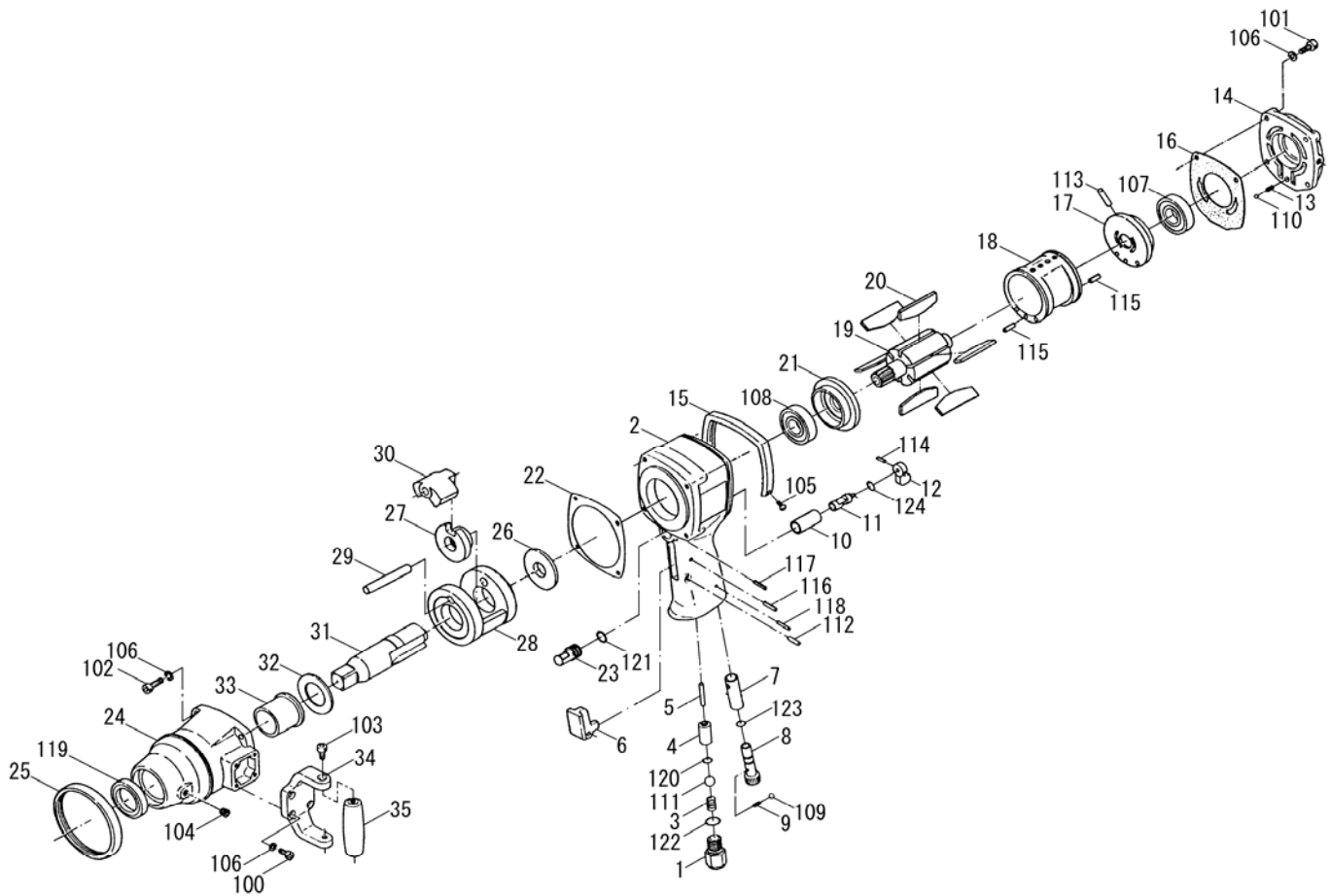


PARTS LIST

NW-3500P

521461 (I43001)

521471 (I43051) (NPT)



日本ニューマチック工業株式会社
NIPPON PNEUMATIC MFG.CO.,LTD.

新旧対照リスト

COMPARISON LIST

(1/2)

型式 MODEL: **NW-3500P**

符号 ITEM	新品番 NEW PART NO.	現状品番 CURRENT PART NO.	NEW PART NAME	CURRENT PART NAME	個数 Q'ty
1	15206760	I43000H020	INLET BUSHING	INLET BUSH	1
2	15206790	I43000H550	HANDLE	HANDLE	1
3	15202720	I14010B210	THROTTLE SPRING	THROTTLE SPRING	1
4	15206770	I43000H270	THROTTLE BUSH	THROTTLE BUSH	1
5	15206780	I43000H310	THROTTLE PIN	THROTTLE PIN	1
6	15206820	I43000H880	LEVER	LEVER	1
7	15206750	I43000G020	ADJUSTER BUSHING	ADJUST BUSH	1
8	15206740	I43000G010	ADJUSTER VALVE	ADJUST VALVE	1
9	15200930	I07000B010	SPRING	SPRING	1
10	15210900	I70010H810	REVERSE BUSH	REVERSE BUSH	1
11	15210890	I70010H800	REVERSE VALVE	REVERSE VALVE	1
12	15210910	I70010H820	REVERSE LEVER	REVERSE LEVER	1
13	15200940	I07000B800	SPRING	SPRING	1
14	15206800	I43000H560	HANDLE CAP	HANDLE CAP	1
15	15206810	I43000H720	PROTECT CAP	HANDLE PROTECT CAP	1
16	15206830	I43000P300	TOP SEAL	TOP SEAL	1
17	15206620	I42000R300	TOP PLATE	TOP PLATE	1
18	15206610	I42000R200	CYLINDER	CYLINDER	1
19	15206651	I42001R721	ROTOR	ROTOR	1
20	15206630	I42000R500	VANE	VANE	5
21	15206640	I42000R510	BOTTOM PLATE	BOTTOM PLATE	1
22	15206600	I42000P500	BOTTOM SEAL	BOTTOM SEAL	1
23	15206730	I43000E030	EXHAUST COVER	EXHAUST COVER	1
24	15206680	I42010I450	HAMMER CASE	HAMMER CASE	1
25	15206580	I42000I530	CASE CAP	HAMMER CASE CAP	1
26	15206500	I42000I200	SPACER	SPACER	1
27	15206520	I42000I300	SCREW DRIVER	DRIVER	1
28	15206570	I42000I490	HAMMER FRAME	HAMMER FRAME	1
29	15206560	I42000I480	HAMMER PIN	HAMMER PIN	1
30	15206550	I42000I470	HAMMER	HAMMER	1
31	15206490	I42000I050	ANVIL	ANVIL	1
32	15206510	I42000I210	THRUST WASHER	THRUST WASHER	1
33	15206540	I42000I460	CASE BUSH	CASE BUSH	1
34	15207390	I45000I580	HOLDER	HOLDER	1
35	15207200	I45000H150	GRIPE	GRIP	1

新旧対照リスト

COMPARISON LIST

(2/2)

型式 MODEL: **NW-3500P**

符号 ITEM	新品番 NEW PART NO.	現状品番 CURRENT PART NO.	NEW PART NAME	CURRENT PART NAME	個数 Q'ty
100	74006016	1050106016	CAP SCREW	HEX. SOCKET CAP SCREW	4
101	74006025	1050106025	CAP SCREW	HEX. SOCKET CAP SCREW	4
102	74006030	1050106030	CAP SCREW	HEX. SOCKET CAP SCREW	4
103	74008020	1050108020	CAP SCREW	HEX. SOCKET CAP SCREW	2
104	28100501	1700111007	HEX. SOCKET PLUG	HEX. SOCKET PLUG	1
105	28100119	1810500412	C-R. TAP. SCREW	C-R. TAP. SCREW	2
106	76420106	1954020060	SPRING WASHER	SPRING WASHER	12
107	28201091	2012006204	BALL BEARING	BALL BEARING	1
108	28201101	2012006304	BALL BEARING	BALL BEARING	1
109	28205023	2800110100	STEEL BALL	STEEL BALL	1
110	28205026	2800110175	STEEL BALL	STEEL BALL	1
111	28205061	2800410500	STAINLESS BALL	STAINLESS BALL	1
112	28207112	3020040210	ROLLER PIN	ROLLER PIN	1
113	28208056	3030030080	SPRING PIN	SPRING PIN	1
114	28208061	3030030180	SPRING PIN	SPRING PIN	1
115	25305050	3030040140	SPRING PIN	SPRING PIN	2
116	28208107	3030040250	SPRING PIN	SPRING PIN	1
117	28299001	3040025250	SPRING PIN	WAVE SPRING PIN	1
118	28299002	3040030250	SPRING PIN	WAVE SPRING PIN	1
119	28302017	4011354505	OIL SEAL	OIL SEAL	1
120	61200120	4150100120	O RING	O RING	1
121	61200160	4150100160	O RING	O RING	1
122	61200180	4150100180	O RING	O RING	1
123	61200101	4150110100	O RING	O RING	1
124	63910090	4152100090	O RING	O RING	1