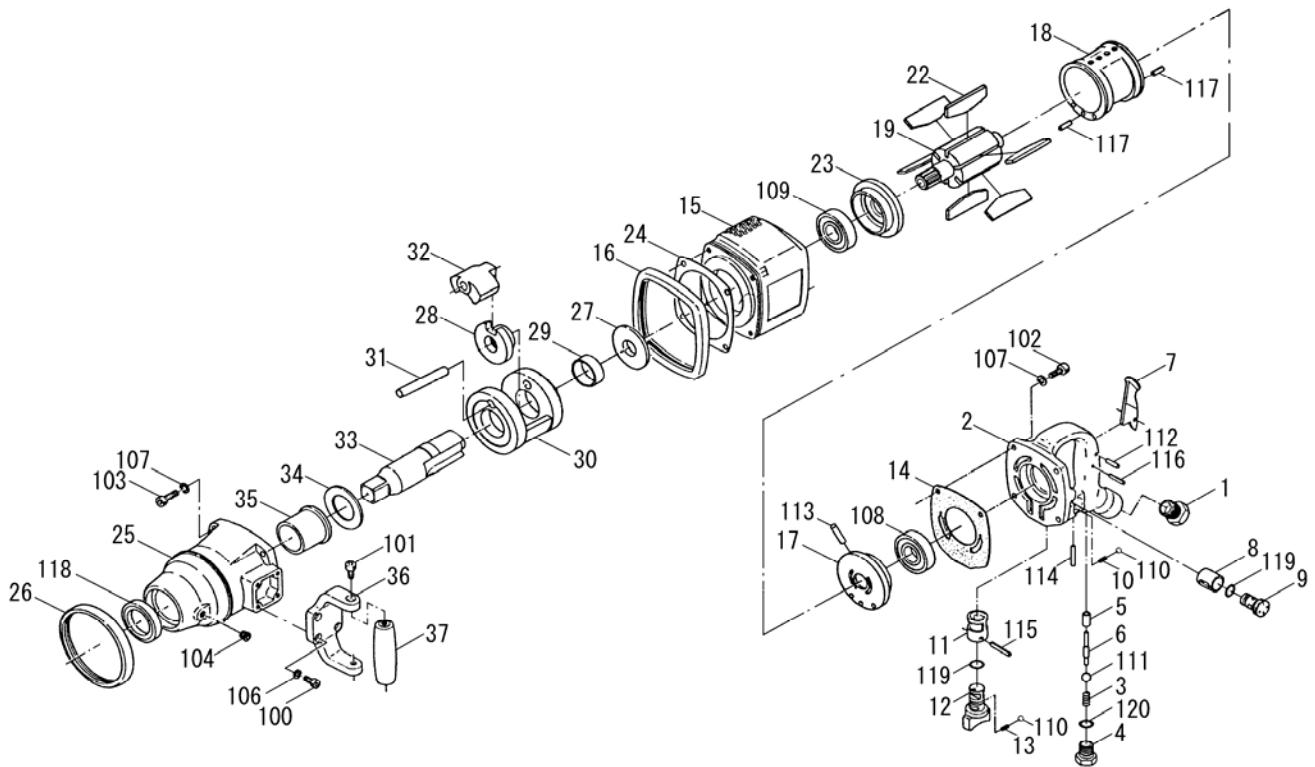


# PARTS LIST

## NW-4300GAU(6P)

521893 (I46F13)

521913 (I46F63) (NPT)



日本ニューマチック工業株式会社  
NIPPON PNEUMATIC MFG.CO.,LTD.

# 新旧対照リスト COMPARISON LIST

(1/2)

型式 MODEL: **NW-4300GAU(6P)**

符号 ITEM	新品番 NEW PART NO.	現状品番 CURRENT PART NO.	NEW PART NAME	CURRENT PART NAME	個数 Q'ty
1	15207510	I45000Z370	SOCKET	SOCKET	1
2	15207600	I46000H550	HANDLE	HANDLE	1
3	15207150	I45000B210	THROTTLE SPRING	THROTTLE SPRING	1
4	15207230	I45000H360	THROTTLE PLUG	THROTTLE PLUG	1
5	15207210	I45000H270	THROTTLE BUSH	THROTTLE BUSH	1
6	15207220	I45000H310	THROTTLE PIN	THROTTLE PIN	1
7	15203700	I28010H880	LEVER	LEVER	1
8	15207180	I45000G020	ADJUSTER BUSHING	ADJUST BUSH	1
9	15207170	I45000G010	ADJUSTER VALVE	ADJUST VALVE	1
10	15200940	I07000B800	SPRING	SPRING	1
11	15207260	I45000H810	REVERSE BUSH	REVERSE BUSH	1
12	15207250	I45000H800	REVERSE VALVE	REVERSE VALVE	1
13	15202120	I12010B010	SPRING	SPRING	1
14	15207400	I45000P300	TOP SEAL	TOP SEAL	1
15	15207531	I45013R731	ROTOR CASE	ROTOR CASE	1
16	15207500	I45000R810	CASE CAP	ROTOR CASE CAP	1
17	15207430	I45000R300	TOP PLATE	TOP PLATE	1
18	15207420	I45000R200	CYLINDER	CYLINDER	1
19	15207462	I45002R722	ROTOR	ROTOR	1
22	15207440	I45000R500	VANE	VANE	6
23	15207450	I45000R510	BOTTOM PLATE	BOTTOM PLATE	1
24	15207410	I45000P500	BOTTOM SEAL	BOTTOM SEAL	1
25	15207520	I45010I450	HAMMER CASE	HAMMER CASE	1
26	15207380	I45000I530	CASE CAP	HAMMER CASE CAP	1
27	15207290	I45000I200	SPACER	SPACER	1
28	15207311	I45002I301	SCREW DRIVER	DRIVER	1
29	15207320	I45000I320	DRIVER BUSH	DRIVER BUSH	1
30	15207370	I45000I490	HAMMER FRAME	HAMMER FRAME	1
31	15207360	I45000I480	HAMMER PIN	HAMMER PIN	1
32	15207350	I45000I470	HAMMER	HAMMER	1
33	15207581	I45F02I051	ANVIL	ANVIL	1
34	15207300	I45000I210	THRUST WASHER	THRUST WASHER	1
35	15207340	I45000I460	CASE BUSH	CASE BUSH	1
36	15207390	I45000I580	HOLDER	HOLDER	1
37	15207200	I45000H150	GRIPE	GRIP	1

# 新旧対照リスト

## COMPARISON LIST

(2/2)

型式 MODEL: **NW-4300GAU(6P)**

符号	新品番	現状品番			個数
ITEM	NEW PART NO.	CURRENT PART NO.	NEW PART NAME	CURRENT PART NAME	Q'ty
100	74006016	1050106016	CAP SCREW	HEX. SOCKET CAP SCREW	4
101	74008020	1050108020	CAP SCREW	HEX. SOCKET CAP SCREW	2
102	74008025	1050108025	CAP SCREW	HEX. SOCKET CAP SCREW	4
103	74008030	1050108030	CAP SCREW	HEX. SOCKET CAP SCREW	4
104	28100501	1700111007	HEX. SOCKET PLUG	HEX. SOCKET PLUG	1
106	76420106	1954020060	SPRING WASHER	SPRING WASHER	4
107	76420108	1954020080	SPRING WASHER	SPRING WASHER	8
108	28201092	2012006205	BALL BEARING	BALL BEARING	1
109	28201102	2012006305	BALL BEARING	BALL BEARING	1
110	28205026	2800110175	STEEL BALL	STEEL BALL	2
111	28205054	2800210500	RUBBER BALL	RUBBER BALL	1
112	28207112	3020040210	ROLLER PIN	ROLLER PIN	1
113	28208056	3030030080	SPRING PIN	SPRING PIN	1
114	28208070	3030030320	SPRING PIN	SPRING PIN	2
115	28208072	3030030360	SPRING PIN	SPRING PIN	1
116	28208091	3030035280	SPRING PIN	SPRING PIN	1
117	28208137	3030055200	SPRING PIN	SPRING PIN	2
118	28302020	4011426509	OIL SEAL	OIL SEAL	1
119	61200160	4150100160	O RING	O RING	2
120	61200180	4150100180	O RING	O RING	1