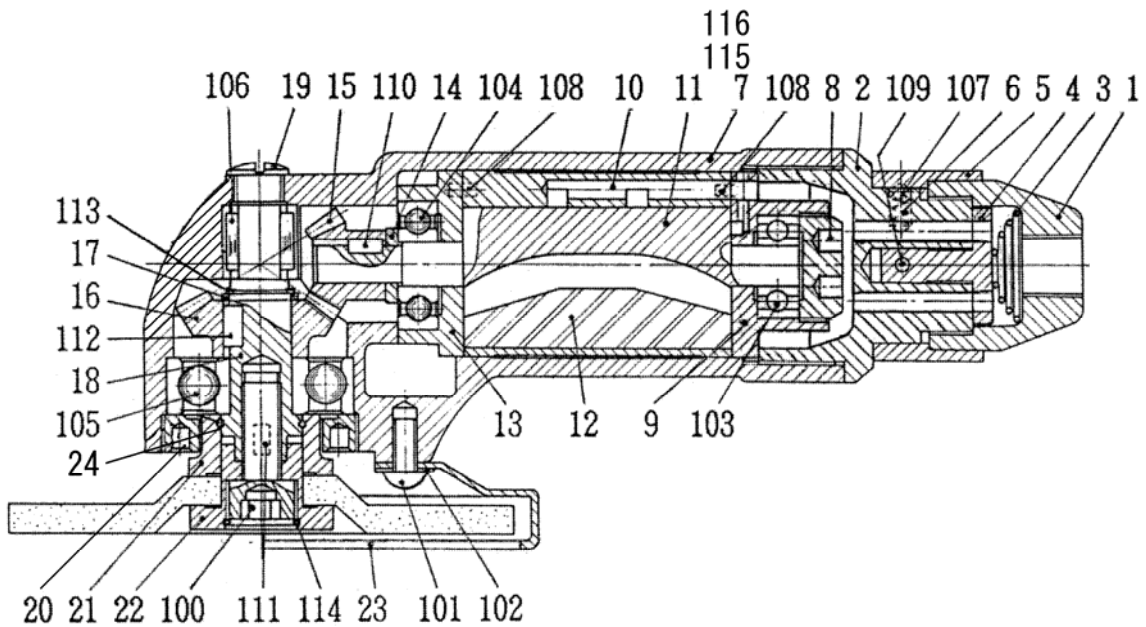


# PARTS LIST

## NAG-1E

501852 (G39002)

501862 (G39052) (NPT)



日本ニューマチック工業株式会社  
NIPPON PNEUMATIC MFG.CO.,LTD.

# 新旧対照リスト

(1/2)

## COMPARISON LIST

型式 MODEL: **NAG-1E**

新 NEW:501852

符号	新品番	現状品番	品名		個数
ITEM	NEW PART NO.	CURRENT PART NO.	NEW PART NAME	CURRENT PART NAME	Q'ty
1	15005040	G40000H020	INLET BUSHING	INLET BUSH	1
2	15004960	G39000H550	HANDLE	HANDLE	1
3	15007640	G53010B210	THROTTLE SPRING	THROTTLE SPRING	1
4	15001020	G05010H300	THROTTLE VALVE	THROTTLE VALVE	1
5	15005060	G40000H150	GRIPE	GRIP	1
6	15007650	G53010B240	STOPPER SPRING	STOPPER BALL SPRING	1
7	15005221	G40002R731	ROTOR CASE	ROTOR CASE	1
8	15004980	G39000R310	PLATE NUT	TOP PLATE NUT	1
9	15004970	G39000R300	TOP PLATE	TOP PLATE	1
10	15005170	G40000R200	CYLINDER	CYLINDER	1
11	15004990	G39000R720	ROTOR	ROTOR	1
12	15005190	G40000R500	VANE	VANE	4
13	15005200	G40000R510	BOTTOM PLATE	BOTTOM PLATE	1
14	15005250	G40000R800	ROTOR WASHER	ROTOR WASHER	1
15	15005240	G40000R770	ROTOR GEAR	ROTOR GEAR	1
16	15005270	G40000S300	SPINDLE GEAR	SPINDLE GEAR	1
17	15005260	G40000S280	SPINDLE WASHER	SPINDLE WASHER	1
18	15005281	G40001S321	STONE SPINDLE	STONE SPINDLE	1
19	15005050	G40000H080	OIL PLUG	OIL PLUG	1
20	15007100	G48000S310	SPINDLE NUT	SPINDLE CASE NUT	1
21	15005081	G40001K311	STONE FLANGE	STONE FLANGE	1
22	15005100	G40000K410	WHEEL NUT	DISC WHEEL NUT	1
23	15005090	G40000K330	STONE COVER	STONE COVER	1
24	15007130	G48000Z340	STOPPER RING	STOPPER RING	1

# 新旧対照リスト

(2/2)

## COMPARISON LIST

型式 MODEL: **NAG-1E**

新 NEW:501852

符号 ITEM	新品番 NEW PART NO.	現状品番 CURRENT PART NO.	品名 NEW PART NAME	CURRENT PART NAME	個数 Q'ty
100	74008020	1050108020	CAP SCREW	HEX. SOCKET CAP SCREW	1
101	25113160	1400010510	C-R. PAN HEAD SCREW	C-R. PAN HEAD SCREW	4
102	76420105	1954020050	SPRING WASHER	SPRING WASHER	4
103	28201071	2012000628	BALL BEARING	BALL BEARING	1
104	28201072	2012000629	BALL BEARING	BALL BEARING	1
105	28201098	2012006301	BALL BEARING	BALL BEARING	1
106	28203073	2993040001	NEEDLE BEARING	NEEDLE BEARING	1
107	25502120	2800110125	STEEL BALL	STEEL BALL	1
108	28206036	3010030090	PIN	PARALLEL PIN	2
109	28206041	3010030205	PIN	PARALLEL PIN	1
110	28209010	3102030307	KEY	KEY	1
111	28209015	3102040406	KEY	KEY	1
112	28209016	3102040408	KEY	KEY	1
113	25307480	3200010110	RETAINING RING	RETAINING RING	1
114	25307600	3200020140	RETAINING RING	RETAINING RING	1
115	18400496	0510000027	NAME PLATE	NAME PLATE	1
116	18400081	0500000081	NAME PLATE	NAME PLATE	1