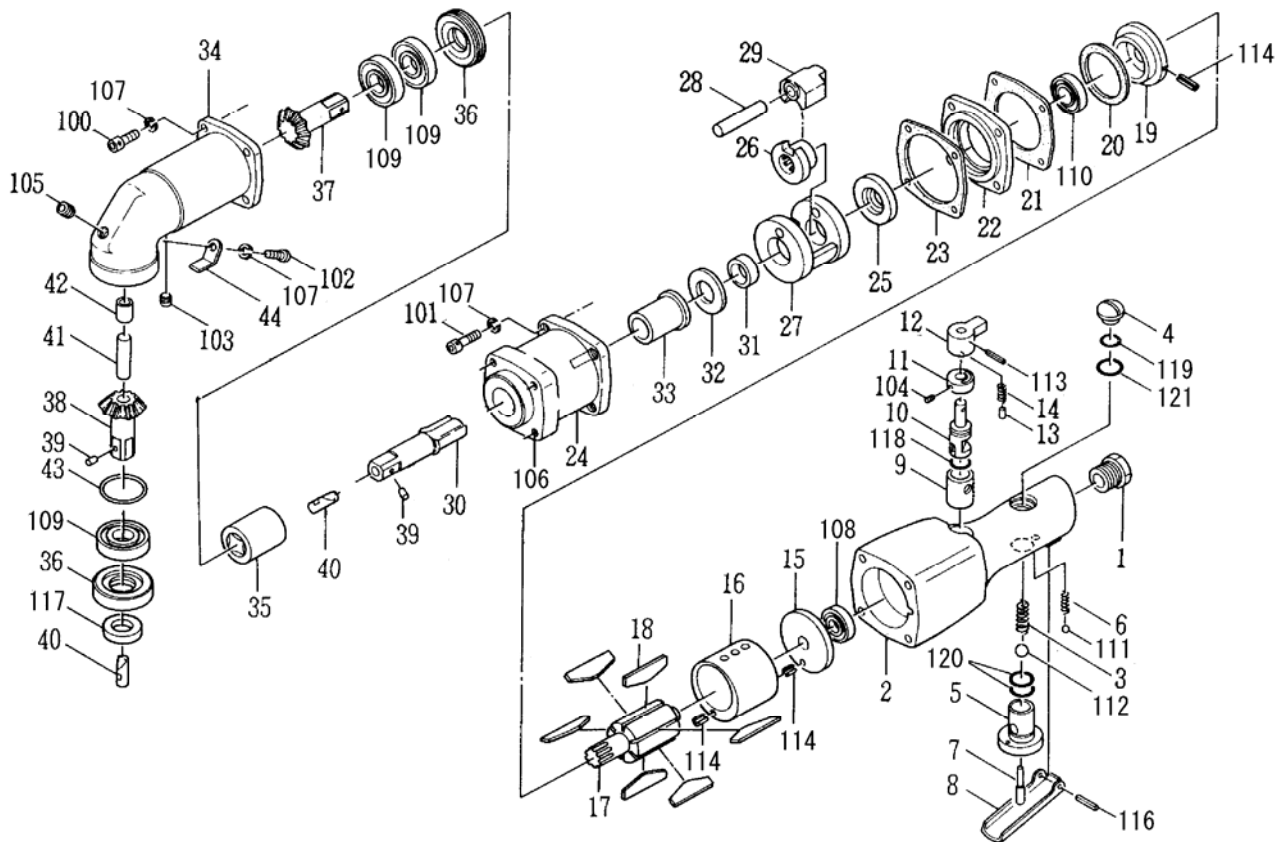


# PARTS LIST

## NAW-1200

522401(I55001)

522411 (I55051) (NPT)



日本ニューマチック工業株式会社  
NIPPON PNEUMATIC MFG.CO.,LTD.

# 新旧対照リスト

## COMPARISON LIST

(1/2)

型式 MODEL: **NAW-1200**

| 符号<br>ITEM | 新品番<br>NEW PART NO. | 現状品番<br>CURRENT PART NO. | NEW PART NAME   | CURRENT PART NAME   | 個数<br>Q'ty |
|------------|---------------------|--------------------------|-----------------|---------------------|------------|
| 1          | 15204080            | I31000H020               | INLET BUSHING   | INLET BUSH          | 1          |
| 2          | 15208730            | I55000H550               | HANDLE          | HANDLE              | 1          |
| 3          | 15204050            | I31000B210               | THROTTLE SPRING | THROTTLE SPRING     | 1          |
| 4          | 15208720            | I55000H360               | THROTTLE PLUG   | THROTTLE PLUG       | 1          |
| 5          | 15208700            | I55000G010               | ADJUSTER VALVE  | ADJUST VALVE        | 1          |
| 6          | 15205040            | I36010B800               | SPRING          | SPRING              | 1          |
| 7          | 15208710            | I55000H310               | THROTTLE PIN    | THROTTLE PIN        | 1          |
| 8          | 15000570            | G03010H880               | LEVER           | LEVER               | 1          |
| 9          | 15208750            | I55000H810               | REVERSE BUSH    | REVERSE BUSH        | 1          |
| 10         | 15208740            | I55000H800               | REVERSE VALVE   | REVERSE VALVE       | 1          |
| 11         | 15208770            | I55000H860               | REVERSE WASHER  | REVERSE WASHER      | 1          |
| 12         | 15208760            | I55000H820               | REVERSE LEVER   | REVERSE LEVER       | 1          |
| 13         | 15303550            | T51010H830               | REVERSE PIN     | REVERSE PIN         | 1          |
| 14         | 15303430            | T51010B800               | SPRING          | SPRING              | 1          |
| 15         | 15208830            | I55000R300               | TOP PLATE       | TOP PLATE           | 1          |
| 16         | 15204430            | I32010R200               | CYLINDER        | CYLINDER            | 1          |
| 17         | 15204471            | I32011R721               | ROTOR           | ROTOR               | 1          |
| 18         | 15204450            | I32010R500               | VANE            | VANE                | 6          |
| 19         | 15208840            | I55000R510               | BOTTOM PLATE    | BOTTOM PLATE        | 1          |
| 20         | 15208800            | I55000P300               | TOP SEAL        | TOP SEAL            | 1          |
| 21         | 15208820            | I55000P600               | MIDDLE SEAL     | MIDDLE SEAL PACKING | 1          |
| 22         | 15208850            | I55000Z760               | FLANGE          | FLANGE              | 1          |
| 23         | 15208810            | I55000P500               | BOTTOM SEAL     | BOTTOM SEAL         | 1          |
| 24         | 15208790            | I55000I450               | HAMMER CASE     | HAMMER CASE         | 1          |
| 25         | 15204320            | I32010I200               | SPACER          | SPACER              | 1          |
| 26         | 15204340            | I32010I300               | SCREW DRIVER    | DRIVER              | 1          |
| 27         | 15204390            | I32010I490               | HAMMER FRAME    | HAMMER FRAME        | 1          |
| 28         | 15204380            | I32010I480               | HAMMER PIN      | HAMMER PIN          | 1          |
| 29         | 15204370            | I32010I470               | HAMMER          | HAMMER              | 1          |
| 30         | 15204310            | I32010I050               | ANVIL           | ANVIL               | 1          |
| 31         | 15204300            | I32010I010               | ANVIL BUSH      | ANVIL BUSH          | 1          |
| 32         | 15204330            | I32010I210               | THRUST WASHER   | THRUST WASHER       | 1          |
| 33         | 15204360            | I32010I460               | CASE BUSH       | CASE BUSH           | 1          |
| 34         | 15208870            | I56010S110               | GEAR CASE       | GEAR CASE           | 1          |
| 35         | 17201970            | X02000Z240               | JOINT           | JOINT               | 1          |
| 36         | 17202000            | X02000Z900               | LOCK NUT        | LOCK NUT            | 2          |
| 37         | 17201900            | X02000S010               | ACCEL GEAR      | ACCEL GEAR          | 1          |

# 新旧対照リスト COMPARISON LIST

(2/2)

型式 MODEL: **NAW-1200**

| 符号<br>ITEM | 新品番<br>NEW PART NO. | 現状品番<br>CURRENT PART NO. | NEW PART NAME       | CURRENT PART NAME     | 個数<br>Q'ty |
|------------|---------------------|--------------------------|---------------------|-----------------------|------------|
| 38         | 17201940            | X02000S300               | SPINDLE GEAR        | SPINDLE GEAR          | 1          |
| 39         | 15204480            | I32010Z250               | STOPPER PIN         | STOPPER PIN           | 1          |
| 40         | 15204490            | I32010Z260               | STOPPER             | STOPPER               | 1          |
| 41         | 17201930            | X02000S150               | GEAR SPINDLE        | GEAR SPINDLE          | 1          |
| 42         | 17201920            | X02000S120               | GEAR CASE BUSH      | GEAR CASE BUSH        | 1          |
| 43         | 17202010            | X02000Z950               | WASHER              | WASHER                | 2          |
| 44         | 17201990            | X02000Z880               | NUT STOPPER         | LOCK NUT STOPPER      | 1          |
| 100        | 74005014            | 1050105014               | CAP SCREW           | HEX. SOCKET CAP SCREW | 4          |
| 101        | 74005025            | 1050105025               | CAP SCREW           | HEX. SOCKET CAP SCREW | 4          |
| 102        | 25113160            | 1400010510               | C-R. PAN HEAD SCREW | C-R. PAN HEAD SCREW   | 1          |
| 103        | 25107090            | 1605010508               | SET SCREW           | HEX. SOCKET SET SCREW | 1          |
| 104        | 28100460            | 1602010416               | SET SCREW           | HEX. SOCKET SET SCREW | 1          |
| 105        | 28100501            | 1700111007               | HEX. SOCKET PLUG    | HEX. SOCKET PLUG      | 1          |
| 106        | 28100122            | 1900105015               | HELICAL COIL        | HELISERT              | 4          |
| 107        | 76420105            | 1954020050               | SPRING WASHER       | SPRING WASHER         | 9          |
| 108        | 28201023            | 2010000003               | BALL BEARING        | BALL BEARING          | 1          |
| 109        | 28201025            | 2010000005               | BALL BEARING        | BALL BEARING          | 3          |
| 110        | 28201080            | 2012006001               | BALL BEARING        | BALL BEARING          | 1          |
| 111        | 25502120            | 2800110125               | STEEL BALL          | STEEL BALL            | 1          |
| 112        | 28205048            | 2800210250               | RUBBER BALL         | RUBBER BALL           | 1          |
| 113        | 28208048            | 3030025160               | SPRING PIN          | SPRING PIN            | 1          |
| 114        | 28208056            | 3030030080               | SPRING PIN          | SPRING PIN            | 2          |
| 116        | 28208064            | 3030030220               | SPRING PIN          | SPRING PIN            | 3          |
| 117        | 28302004            | 4011162404               | OIL SEAL            | OIL SEAL              | 1          |
| 118        | 61200100            | 4150100100               | O RING              | O RING                | 1          |
| 119        | 25401430            | 4154100100               | O RING              | O RING                | 1          |
| 120        | 63200120            | 4154100120               | O RING              | O RING                | 2          |
| 121        | 63200140            | 4154100140               | O RING              | O RING                | 1          |