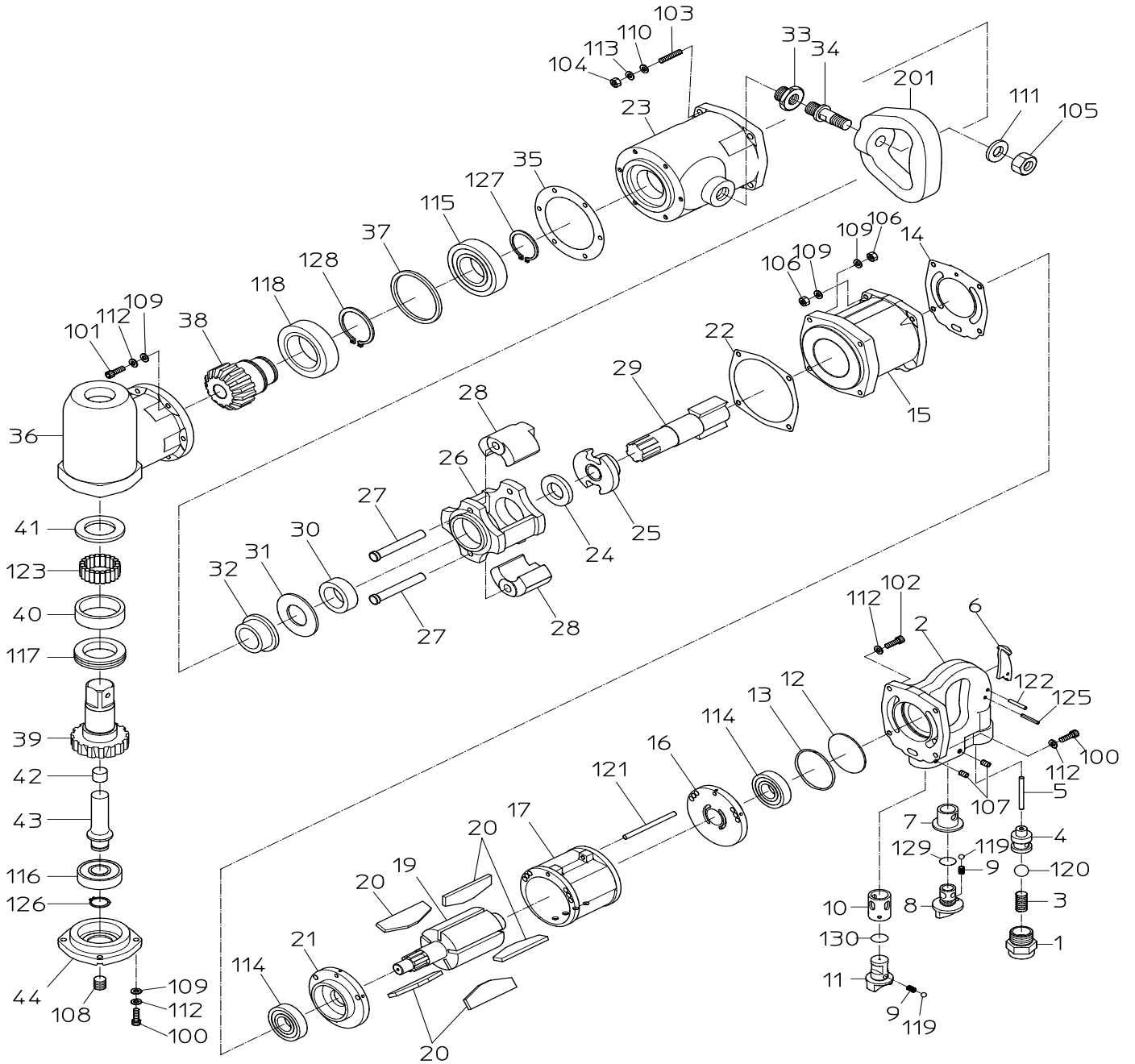


# PARTS LIST

## NAW-32LA

522360 (I53010)

522370 (I53060) (NPT)



日本ニューマチック工業株式会社  
NIPPON PNEUMATIC MFG.CO.,LTD.

# パーツリスト PARTS LIST

(1/2)

型式 MODEL: **NAW-32LA**

符号 ITEM	品番 PART NO.	PART NAME	個数 Q'ty
1	15202750	INLET BUSHING	1
2	15202780	HANDLE	1
3	15202720	THROTTLE SPRING	1
4	15202760	THROTTLE BUSH	1
5	15202770	THROTTLE PIN	1
6	15210920	LEVER	1
7	15202740	ADJUSTER BUSHING	1
8	15202730	ADJUSTER VALVE	1
9	15202120	SPRING	2
10	15202810	REVERSE BUSH	1
11	15202800	REVERSE VALVE	1
12	15202790	HANDLE PLATE	1
13	15202990	STOPPER RING	1
14	15202920	TOP SEAL	1
15	15208570	ROTOR CASE	1
16	15202940	TOP PLATE	1
17	15207420	CYLINDER	1
18	15202970	ROTOR	1
20	15202950	VANE	5
21	15202960	BOTTOM PLATE	1
22	15202930	BOTTOM SEAL	1
23	15208520	HAMMER CASE	1
24	15202840	SPACER	1
25	15202860	SCREW DRIVER	1
26	15202910	HAMMER FRAME	1
27	15202900	HAMMER PIN	2
28	15202890	HAMMER	2
29	15208510	ANVIL	1
30	15202820	ANVIL BUSH	1
31	15202850	THRUST WASHER	1
32	15208530	CASE BUSH	1
33	15202380	HOLDER SOCKET	1
34	15208550	HOLDER JOINT	1
35	15208560	MIDDLE SEAL	1
36	15208590	GEAR CASE	1
37	15208640	BEARING WASHER	1
38	15208580	ACCEL GEAR	1
39	15208610	SPINDLE GEAR	1
40	15208630	ROLLER BUSH	1
41	15208670	COLLAR	1
42	15208620	GEAR PIN	1
43	15208600	GEAR SPINDLE	1
44	15208650	BEARING COVER	1

パーツリスト PARTS LIST

(2/2)

型式 MODEL: **NAW-32LA**

符号 ITEM	品番 PART NO.	PART NAME	個数 Q'ty
100	74006022	CAP SCREW	6
101	74006025	CAP SCREW	6
102	74006035	CAP SCREW	2
103	28100204	SET BOLT	4
104	76111208	HEX. NUT	4
105	28100388	HEX. NUT	1
106	25122010	NYLON-HEX. NUT	2
107	25105020	SET SCREW	2
108	28100508	HEX. SOCKET PLUG	1
109	76310206	WASHER	16
110	76310208	WASHER	4
111	76310216	WASHER	1
112	76420106	SPRING WASHER	14
113	76420108	SPRING WASHER	4
114	28201092	BALL BEARING	2
115	28201095	BALL BEARING	1
116	28201101	BALL BEARING	1
117	28202020	THRUST BEARING	1
118	28204006	ROLLER FOLLOWER	1
119	28205026	STEEL BALL	2
120	28205054	RUBBER BALL	1
121	28206114	PIN	1
122	28207110	ROLLER PIN	1
123	28207168	ROLLER PIN	21
124	25305560	SPRING PIN	1
125	25305060	SPRING PIN	1
126	25307020	RETAINING RING	1
127	25307080	RETAINING RING	1
128	25307240	RETAINING RING	1
129	61200140	O RING	1
130	63200180	O RING	1
201	15208540	HOLDER	1