

パーツリスト PARTS LIST

(1/1)

MODEL : **NBH-400**

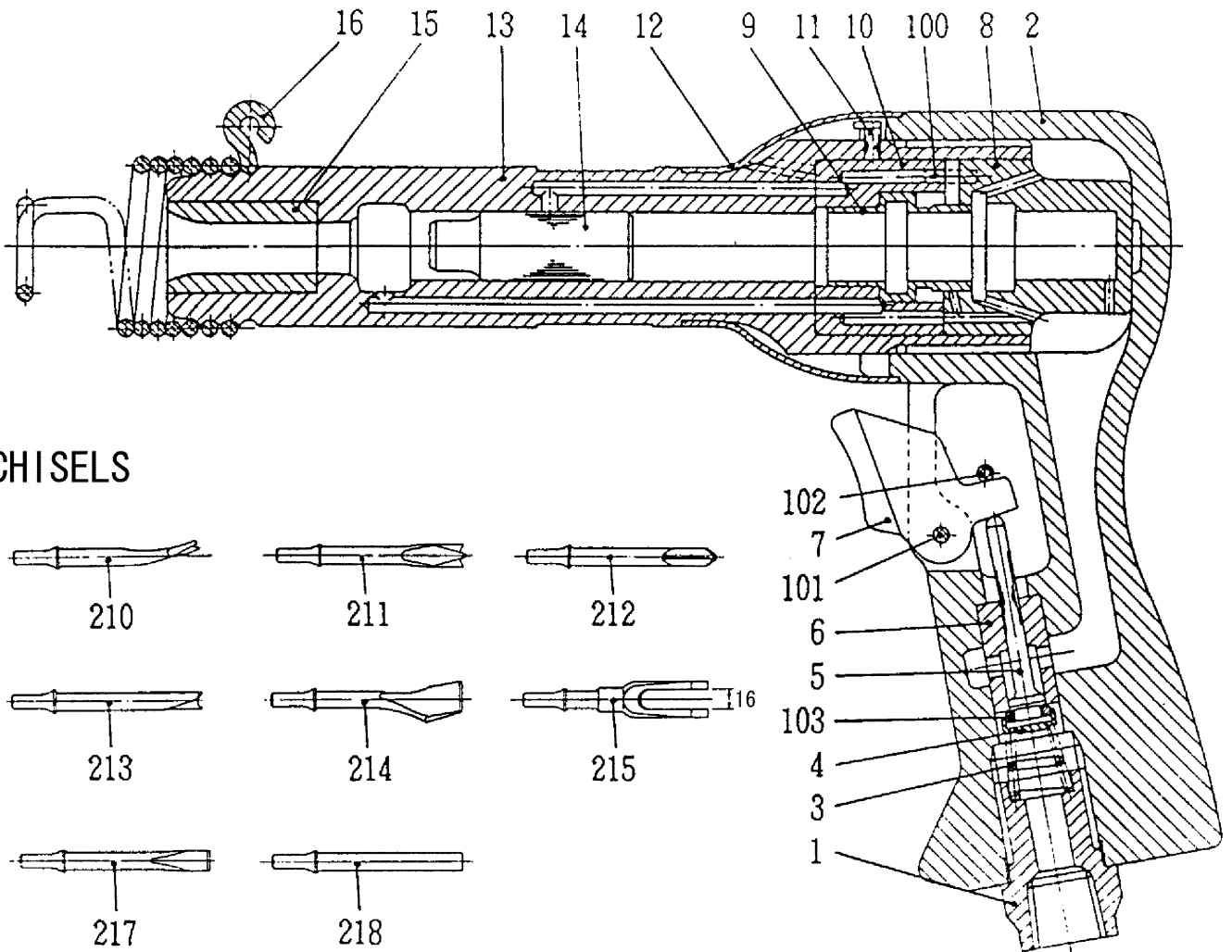
ITEM	PART NO.	PART NAME	Q'ty
1	15205580	INLET BUSHING	1
2	17500070	HANDLE	1
3	15204250	THROTTLE SPRING	1
4	15203750	THROTTLE CAP	1
5	15204270	THROTTLE VALVE	1
6	15204260	THROTTLE BUSH	1
7	15203810	LEVER	1
8	17500100	VALVE SHEET	1
9	17500080	VALVE	1
10	17500090	VALVE BOX	1
11	17500280	STOPPER PIN	1
12	17500060	EXHAUST COVER	1
13	17500010	CYLINDER	1
14	17500030	PISTON	1
15	17500020	SHANK BUSHING	1
16	17500050	QUICK SPRING	1
100	28207038	ROLLER PIN	1
101	28207061	ROLLER PIN	1
102	25305020	SPRING PIN	1
103	61200050	O RING	1
210	17500110	PANEL CUTTER	0
211	17500120	SHEET METAL CUTTER	0
212	17500130	MUFFLER CUTTER	0
213	17500140	BUSHING REMOVER	0
214	17500150	PAINT SCRAPER	0
215	17500200	FORK CHISEL (16)	0
217	17500190	FLAT CHISEL	0
218	17500160	STRAIGHT PUNCH	0
219	17500170	TIE ROD TOOL	0
220	17500180	SMOOTHING TOOL	0
221	17500220	DEMOLITION POINT CHISEL	0

PARTS LIST

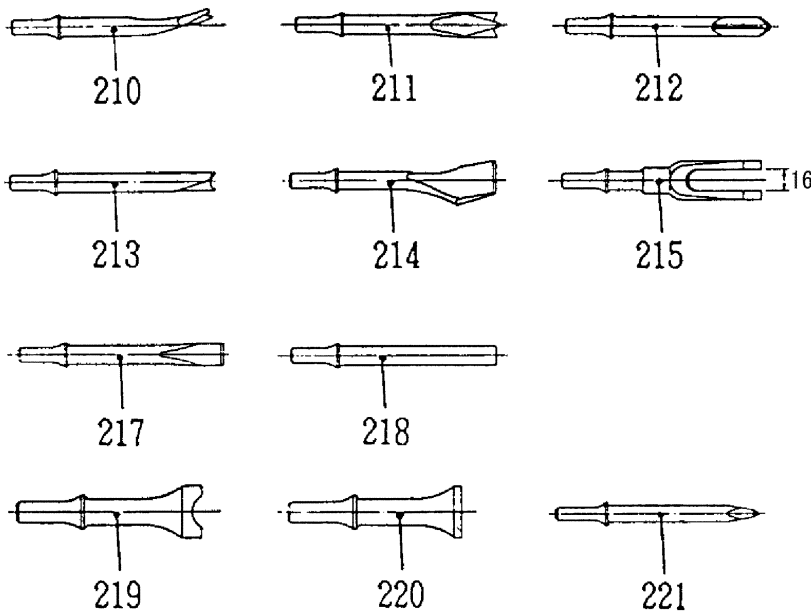
NBH-400

600010 (A01000)

600020 (A01050) (NPT)



CHISELS



別売：チゼル(No. 210～221)
 OPTION: CHISEL (No. 210～221)

日本ニューマチック工業株式会社
 NIPPON PNEUMATIC MFG.CO.,LTD.