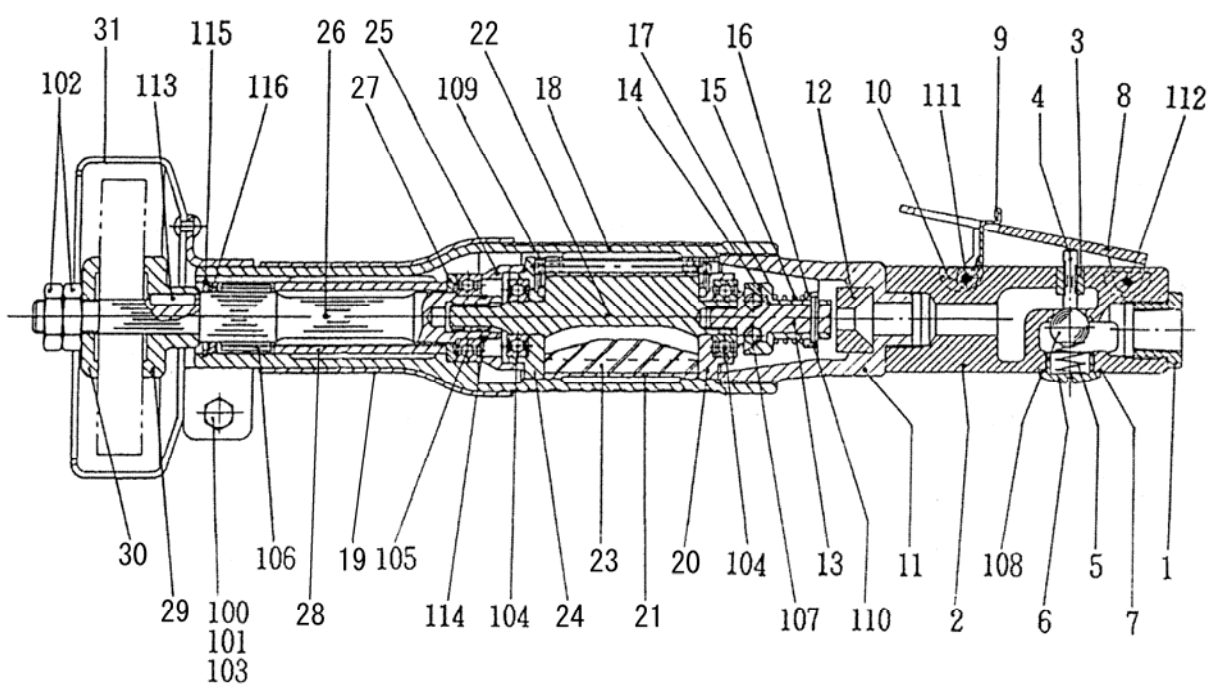


# PARTS LIST

## NHG-100ALW

501590 (G29W10)

501600 (G29W60) (NPT)



日本ニューマチック工業株式会社  
NIPPON PNEUMATIC MFG.CO.,LTD.

# 新旧対照リスト

(1/2)

## COMPARISON LIST

型式 MODEL: **NHG-100ALW**

現 CURRENT:G29W10

符号 ITEM	新品番 NEW PART NO.	現状品番 CURRENT PART NO.	品名 NEW PART NAME	CURRENT PART NAME	個数 Q'ty
1	15210840	I70010H020	INLET BUSHING	INLET BUSH	1
2	15008240	G53W10H290	THROTTLE ARBOR	THROTTLE ARBOR	1
3	15009270	G61000H270	THROTTLE BUSH	THROTTLE BUSH	1
4	15009280	G61000H310	THROTTLE PIN	THROTTLE PIN	1
5	15009260	G61000B210	THROTTLE SPRING	THROTTLE SPRING	1
6	15009290	G61000H360	THROTTLE PLUG	THROTTLE PLUG	1
7	15009340	G61000P800	RUBBER PACKING	RUBBER PACKING	1
8	15008260	G53W10H880	LEVER	LEVER	1
9	15008270	G53W10Z260	STOPPER	STOPPER	1
10	15008230	G53W10B250	STOPPER SPRING	STOPPER SPRING	1
11	15003950	G29W10H050	AIR CONNECTOR	AIR CONNECTOR	1
12	15003740	G29010G230	GOVERNOR BUSH	GOVERNOR BUSH	1
13	15003730	G29010G210	GOVERNOR BODY	GOVERNOR BODY	1
14	15003720	G29010G200	GOVERNOR VALVE	GOVERNOR VALVE	1
15	15003080	G22000B100	GOVERNOR SPRING	GOVERNOR SPRING	1
16	15003120	G22000G300	GOVERNOR WASHER	GOVERNOR SPRING WASHER	1
17	15003280	G22000Z410	THIN WASHER	THIN WASHER	1
18	15003840	G29010R730	ROTOR CASE	ROTOR CASE	1
19	15003870	G29010Z110	COVER	COVER	1
20	15003800	G29010R300	TOP PLATE	TOP PLATE	1
21	15003790	G29010R200	CYLINDER	CYLINDER	1
22	15003830	G29010R720	ROTOR	ROTOR	1
23	15003810	G29010R500	VANE	VANE	4
24	15003820	G29010R510	BOTTOM PLATE	BOTTOM PLATE	1
25	15003860	G29010Z100	COLLAR	COLLAR	1
26	15003850	G29010S320	STONE SPINDLE	STONE SPINDLE	1
27	15003890	G29010Z950	WASHER	WASHER	1
28	15003880	G29010Z330	MOVING COLLAR	SLEEVE	1
29	15003760	G29010K310	STONE FLANGE	STONE FLANGE	1
30	15003770	G29010K320	STONE WASHER	STONE WASHER	1
31	15003780	G29010K330	STONE COVER	STONE COVER	1

日本ニューマチック工業株式会社

NIPPON PNEUMATIC MFG. CO., LTD. NHG-100ALW\_501590\_G29W10\_020411.xls

# 新旧対照リスト

(2/2)

## COMPARISON LIST

型式 MODEL: **NHG-100ALW**

現 CURRENT:G29W10

符号	新品番	現状品番	品名		個数
ITEM	NEW PART NO.	CURRENT PART NO.	NEW PART NAME	CURRENT PART NAME	Q'ty
100	72206018	1010106018	HEX. BOLT	HEX. BOLT	1
101	76111206	1204010106	HEX. NUT	HEX. NUT	1
102	28100392	1204031940	HEX. NUT	HEX. NUT	2
103	76310206	1951010060	WASHER	PLAIN WASHER	2
104	28201080	2012006001	BALL BEARING	BALL BEARING	2
105	28201081	2012006002	BALL BEARING	BALL BEARING	1
106	28203052	2400182620	NEEDLE BEARING	NEEDLE BEARING	1
107	25502020	2800110200	STEEL BALL	STEEL BALL	3
108	28205053	2800210450	RUBBER BALL	RUBBER BALL	1
109	28206057	3010040070	PIN	PARALLEL PIN	2
110	28207061	3020030160	ROLLER PIN	ROLLER PIN	1
111	28208061	3030030180	SPRING PIN	SPRING PIN	1
112	25305020	3030030250	SPRING PIN	SPRING PIN	1
113	28209020	3102040416	KEY	KEY	1
114	25307890	3200120150	RETAINING RING	RETAINING RING	1
115	25307915	3200130260	RETAINING RING	RETAINING RING	1
116	28302054	4121182604	OIL SEAL	OIL SEAL	1