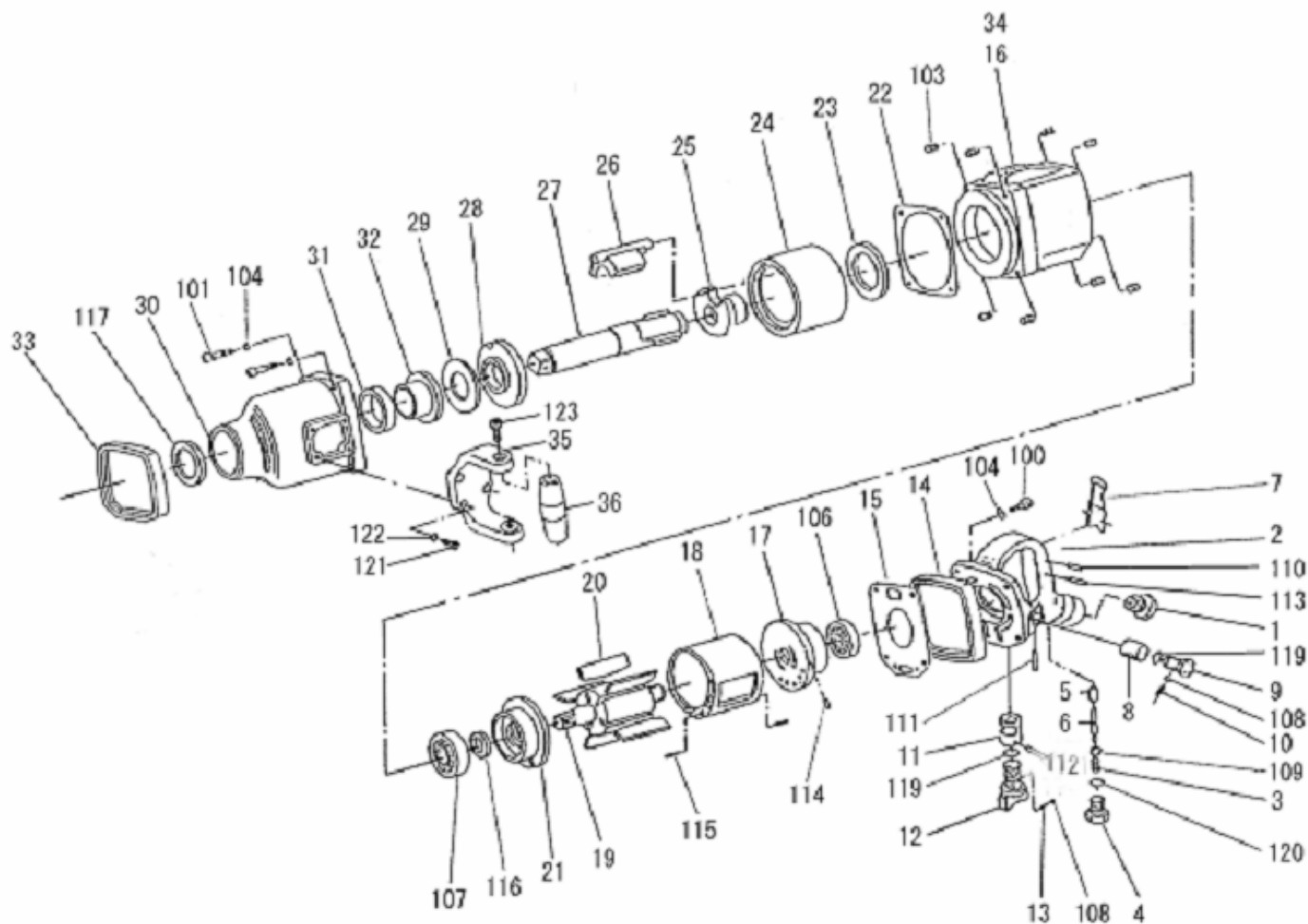


PARTS LIST

NW-5000

522960

522970(NPT)



日本ニューマチック工業株式会社
NIPPON PNEUMATIC MFG.CO.,LTD.

新旧対照リスト

COMPARISON LIST

(1/2)

型式 MODEL: **NW-5000 (7P)**

符号	新品番	現状品番			個数
ITEM	NEW PART NO.	CURRENT PART NO.	NEW PART NAME	CURRENT PART NAME	Q'ty
1	15207510	I45000Z370	SOCKET	SOCKET	1
2	15205990	I40000H550	HANDLE	HANDLE	1
3	15207150	I45000B210	THROTTLE SPRING	THROTTLE SPRING	1
4	15207230	I45000H360	THROTTLE PLUG	THROTTLE PLUG	1
5	15207210	I45000H270	THROTTLE BUSH	THROTTLE BUSH	1
6	15207220	I45000H310	THROTTLE PIN	THROTTLE PIN	1
7	15207270	I45000H880	LEVER	LEVER	1
8	15207180	I45000G020	ADJUSTER BUSHING	ADJUST BUSH	1
9	15207170	I45000G010	ADJUSTER VALVE	ADJUST VALVE	1
10	15200940	I07000B800	SPRING	SPRING	1
11	15207260	I45000H810	REVERSE BUSH	REVERSE BUSH	1
12	15207250	I45000H800	REVERSE VALVE	REVERSE VALVE	1
13	15202120	I12010B010	SPRING	SPRING	1
14	15210580	I68000R810	CASE CAP	ROTOR CASE CAP	1
15	15210500	I68000P300	TOP SEAL	TOP SEAL	1
16	15210570	I68000R730	ROTOR CASE	ROTOR CASE	1
17	15210530	I68000R300	TOP PLATE	TOP PLATE	1
18	15210520	I68000R200	CYLINDER	CYLINDER	1
19	15210560	I68000R720	ROTOR	ROTOR	1
20	15210540	I68000R500	VANE	VANE	5
21	15210550	I68000R510	BOTTOM PLATE	BOTTOM PLATE	1
22	15210510	I68000P500	BOTTOM SEAL	BOTTOM SEAL	1
23	15210420	I68000I200	SPACER	SPACER	1
24	15210480	I68000I490	HAMMER FRAME	HAMMER FRAME	1
25	15210440	I68000I300	SCREW DRIVER	DRIVER	1
26	15210470	I68000I470	HAMMER	HAMMER	1
27	15210600	I68G00I050	ANVIL	ANVIL	1
28	15210590	I68000Z230	SIDE PLATE	SIDE PLATE	1
29	15210430	I68000I210	THRUST WASHER	THRUST WASHER	1
30	15210450	I68000I450	HAMMER CASE	HAMMER CASE	1
31	15210460	I68000I460	CASE BUSH	CASE BUSH	1
32	15210400	I68000I020	INNER RACE	INNER RACE	1
33	15210490	I68000I530	CASE CAP	HAMMER CASE CAP	1
34	18400217	0500000219	NAME PLATE	NAME PLATE	1
35	15207390	I45000I580	HOLDER	HOLDER	1
36	15207200	I45000H150	GRIP	GRIP	1
100	74008025	1050108025	CAP SCREW	HEX. SOCKET CAP SCREW	4

日本ニューマチック工業株式会社

NIPPON PNEUMATIC MFG. CO., LTD. NW-5000(7P)_522960_I68G00_020527.xls

新旧対照リスト COMPARISON LIST

(2/2)

型式 MODEL: **NW-5000 (7P)**

符号 ITEM	新品番 NEW PART NO.	現状品番 CURRENT PART NO.	NEW PART NAME	CURRENT PART NAME	個数 Q'ty
101	74008030	1050108030	CAP SCREW	HEX. SOCKET CAP SCREW	4
102	28100033	1400010610	C-R. PAN HEAD SCREW	C-R. PAN HEAD SCREW	1
103	28100128	1900108015	HELICAL COIL	HELISERT	8
104	76420108	1954020080	SPRING WASHER	SPRING WASHER	8
105	28100674	1957020060	TOOTHED LOCK WASHER	TOOTHED LOCK WASHER	1
106	28201042	2010006205	BALL BEARING	BALL BEARING	1
107	28201140	2011006305	BALL BEARING	BALL BEARING	1
108	28205026	2800110175	STEEL BALL	STEEL BALL	2
109	28205054	2800210500	RUBBER BALL	RUBBER BALL	1
110	28207112	3020040210	ROLLER PIN	ROLLER PIN	1
111	28208070	3030030320	SPRING PIN	SPRING PIN	2
112	28208072	3030030360	SPRING PIN	SPRING PIN	1
113	28208091	3030035280	SPRING PIN	SPRING PIN	1
114	28208098	3030040080	SPRING PIN	SPRING PIN	1
115	25305060	3030040200	SPRING PIN	SPRING PIN	2
116	28302012	4011253805	OIL SEAL	OIL SEAL	1
117	28302019	4011425506	OIL SEAL	OIL SEAL	1
118	61200060	4150100060	O RING	O RING	1
119	61200160	4150100160	O RING	O RING	2
120	61200180	4150100180	O RING	O RING	1
121	74006016	1050106016	CAP SCREW	HEX. SOCKET CAP SCREW	4
122	76420106	1954020060	SPRING WASHER	SPRING WASHER	4
123	74008020	1050108020	CAP SCREW	HEX. SOCKET CAP SCREW	2